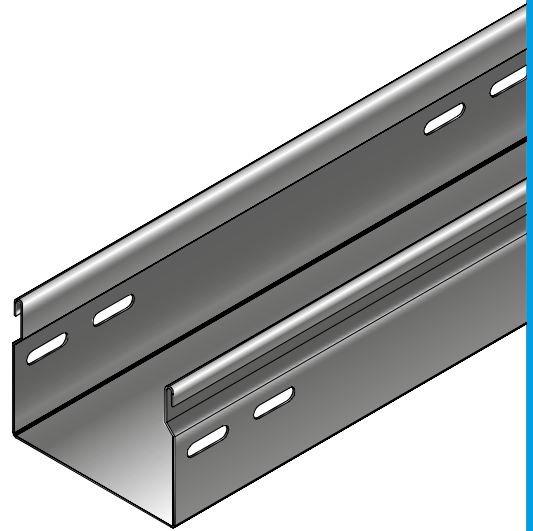


TRUNKING



GBRS	p. 130
GRS	p. 144
GP	p. 154
GA	p. 159
Other trunkings	
- PRC	p. 164
- FF2	p. 164

GBRS TRUNKING

For any application requiring a high electromagnetic and mechanical protection.

Suitable for fibre-optic cables.

BENEFITS:

EMC > the ideal solution against external influences when used with covers.

To separate power cables from data cables you can either use 2 trunkings or 1 trunking with LPS divider.

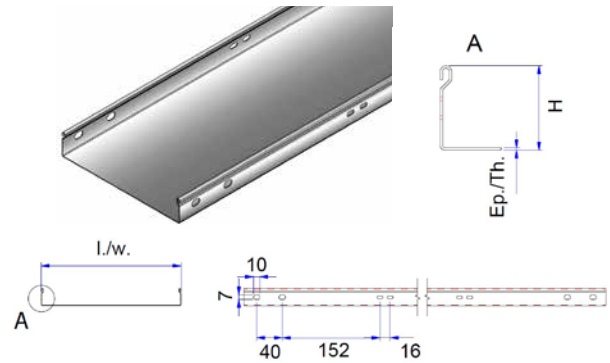
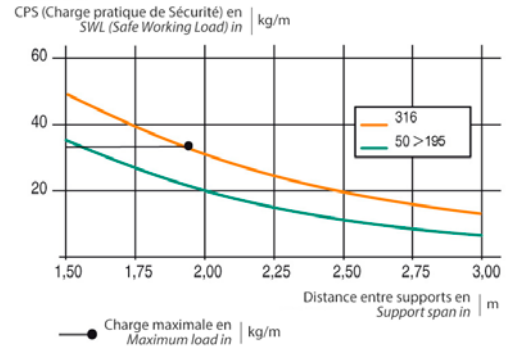
- Excellent mechanical protection
- Non cutting edges: safety return flange
- Special permanent cover clip
- Adapted radius for fibre-optic cables on request
- Contains no chromium > recyclable
- Electrical continuity in compliance with IEC 61537
- Versatile: large range of widths from 50 to 500 mm
- Heights: from 24 to 96 mm

Stainless steel and aluminium on request.

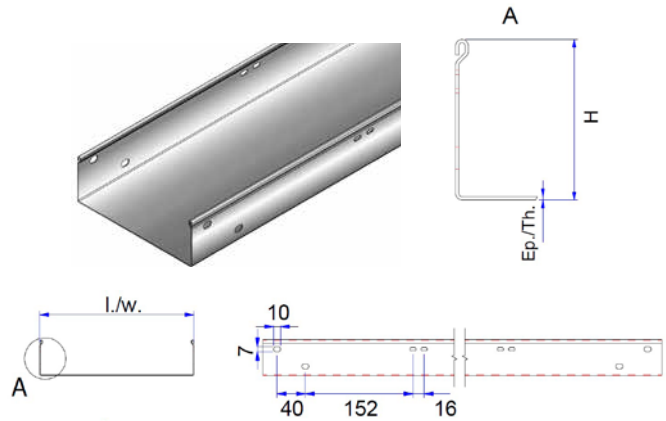
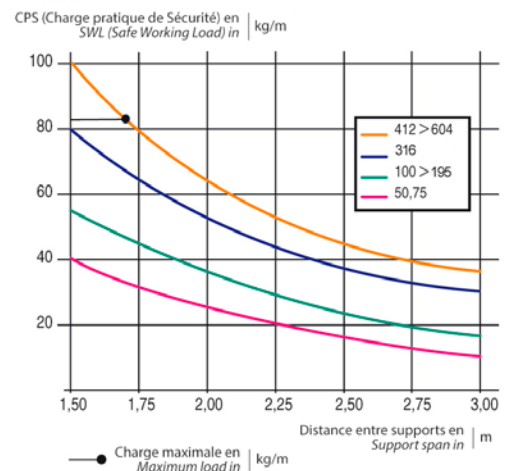
GBRS	Maximum capacity (kg/ml) for a density of							
	Power cables 0,25 kg/cm ² /ml				Communication cables 0,15 kg/cm ² /ml			
Width (mm)	Height (mm)				Height (mm)			
	25	50	75	100	25	50	75	100
50	3,0	6,0			1,8	3,6		
75	4,5	9,0	13,5		2,7	5,4	8,1	
100	6,0	12,0	18,0	24,0	3,6	7,2	10,8	14,4
147	8,8	17,7	26,4	35,3	5,3	10,6	15,9	21,2
195	11,7	23,4	35,1	46,8	7,0	14,0	21,1	28,1
316	18,9	37,9	56,9	75,8	11,4	22,8	34,1	45,5
412	24,7	49,5	74,2	98,8	14,8	29,7	44,5	59,3
507	30,4	60,8	91,3	121,7	18,3	36,5	54,8	73,0

GBRS TRUNKING
GBRS H24

	m	Description	Code	Weight kg/ml
G	3	GBRS 24x50 G	512001	0.522
	3	GBRS 24x75 G	512002	0.635
	3	GBRS 24x100 G	512003	0.748
	3	GBRS 24x147 G	512005	1.218
	3	GBRS 24x195 G	512007	1.501
HDG	3	GBRS 24x50 HDG	469001	0.575
	3	GBRS 24x75 HDG	469002	0.699
	3	GBRS 24x100 HDG	469003	0.823
	3	GBRS 24x147 HDG	469005	1.340
	3	GBRS 24x195 HDG	469007	1.651
SS316L	3	GBRS 24x50 SS316 L	515001	0.710
	3	GBRS 24x75 SS316 L	515002	0.864
	3	GBRS 24x100 SS316 L	515003	1.017
	3	GBRS 24x147 SS316 L	515005	1.324
	3	GBRS 24x195 SS316 L	515007	1.632


GBRS 24

GBRS H48

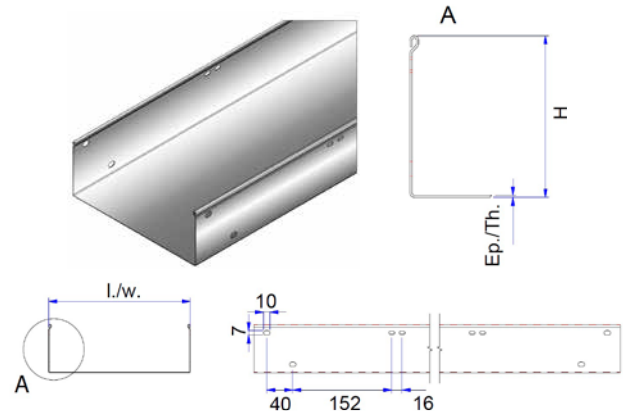
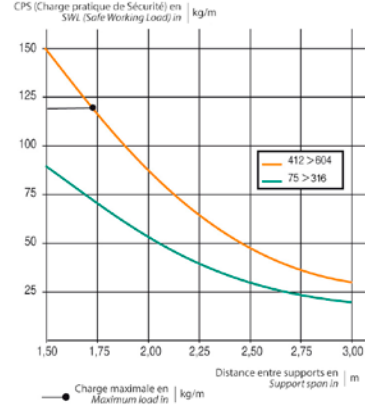
	m	Description	Code	Weight kg/ml
G	3	GBRS 48x50 G	512015	0.748
	3	GBRS 48x75 G	512016	0.861
	3	GBRS 48x100 G	512017	0.974
	3	GBRS 48x147 G	512019	1.501
	3	GBRS 48x195 G	512021	1.783
	3	GBRS 48x316 G	512024	3.320
	3	GBRS 48x412 G	512026	5.092
	3	GBRS 48x507 G	512028	6.034
HDG	3	GBRS 48x50 HDG	469015	0.823
	3	GBRS 48x75 HDG	469016	0.953
	3	GBRS 48x100 HDG	469017	1.077
	3	GBRS 48x147 HDG	469019	1.651
	3	GBRS 48x195 HDG	469021	1.962
	3	GBRS 48x316 HDG	469024	3.652
	3	GBRS 48x412 HDG	469026	5.377
	3	GBRS 48x507 HDG	469028	6.372
SS316L	3	GBRS 48x50 SS316 L	515015	1.017
	3	GBRS 48x75 SS316 L	515016	1.171
	3	GBRS 48x100 SS316 L	515017	1.324
	3	GBRS 48x147 SS316 L	515019	1.632
	3	GBRS 48x195 SS316 L	515021	1.939
	3	GBRS 48x316 SS316 L	515024	3.384
	3	GBRS 48x412 SS316 L	515026	4.152
	3	GBRS 48x507 SS316 L	515028	4.920


GBRS 48


GBRS TRUNKING
GBRS H72

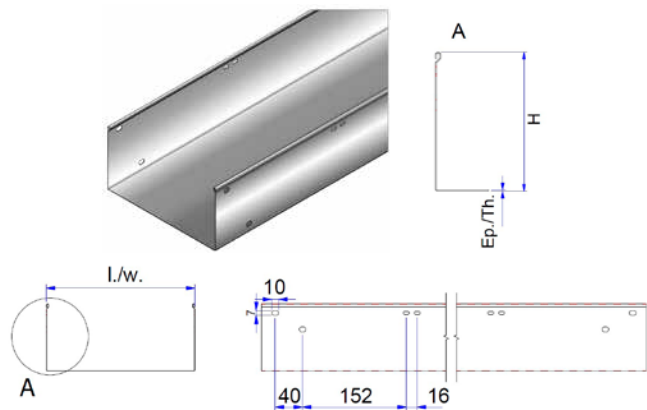
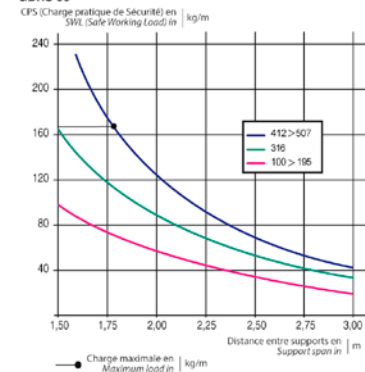
	m	Description	Code	Weight kg/ml
G	3	GBRS 72x75 G	512029	1.360
	3	GBRS 72x100 G	512030	1.501
	3	GBRS 72x147 G	512032	1.783
	3	GBRS 72x195 G	512034	2.066
	3	GBRS 72x316 G	512037	3.697
	3	GBRS 72x412 G	512039	5.563
	3	GBRS 72x507 G	512041	6.505

	m	Description	Code	Weight kg/ml
HDG	3	GBRS 72x75 HDG	469029	1.496
	3	GBRS 72x100 HDG	469030	1.651
	3	GBRS 72x147 HDG	469032	1.962
	3	GBRS 72x195 HDG	469034	2.273
	3	GBRS 72x316 HDG	469037	4.067
	3	GBRS 72x412 HDG	469039	5.875
	3	GBRS 72x507 HDG	469041	6.870


GBRS 72

GBRS H96

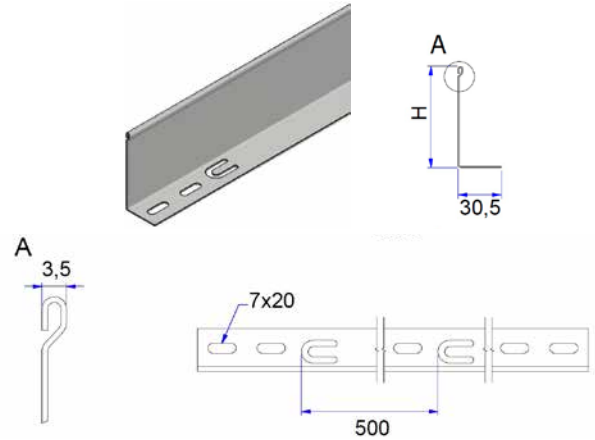
	m	Description	Code	Weight kg/ml
HDG	3	GBRS 96x100 HDG	469042	1.962
	3	GBRS 96x147 HDG	469044	2.273
	3	GBRS 96x195 HDG	469046	2.584
	3	GBRS 96x316 HDG	469049	4.481
	3	GBRS 96x412 HDG	469051	6.372
	3	GBRS 96x507 HDG	469053	7.367

	m	Description	Code	Weight kg/ml
G	3	GBRS 96x100 G	512042	1.783
	3	GBRS 96x147 G	512044	2.060
	3	GBRS 96x195 G	512046	2.349
	3	GBRS 96x316 G	512049	4.074
	3	GBRS 96x412 G	512051	6.034
	3	GBRS 96x507 G	512053	6.976

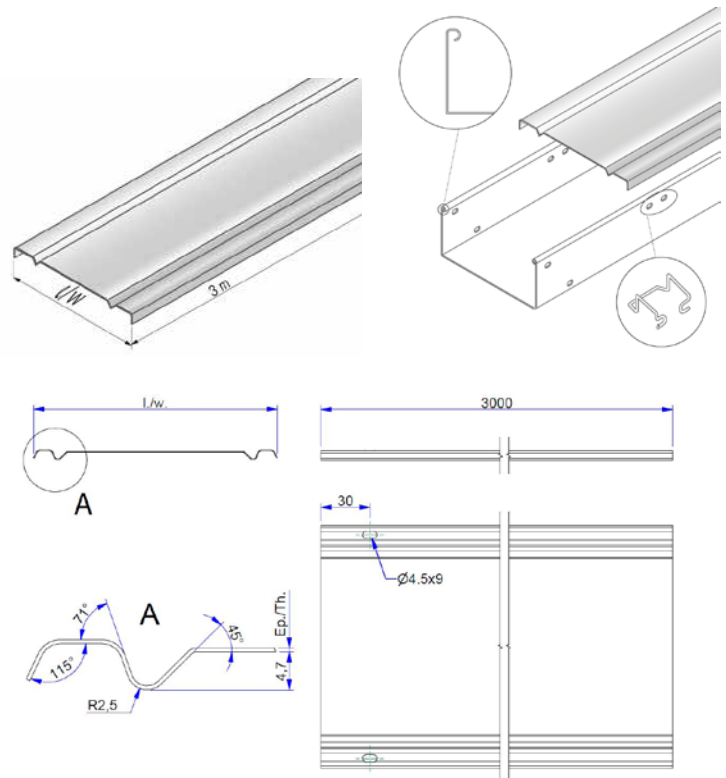

GBRS 96


DIVIDERS, COVERS AND CLIPS
LPSU UNIVERSAL DIVIDERS


m	Description	Code	Weight kg/ml	H. mm
G	3 LPSU 24 G	400060	0.330	24
	3 LPSU 48 G	400061	0.470	48
	3 LPSU 72 G	400063	0.600	72
	3 LPSU 96 G	400062	0.992	96
m	Description	Code	Weight kg/ml	H. mm
HDG	3 LPSU 24 HDG	548060	0.450	24
	3 LPSU 48 HDG	548061	0.500	48
	3 LPSU 72 HDG	548063	0.513	72
	3 LPSU 96 HDG	548062	1.013	96


RIBBED COVERS - CO

m	Description	Code	Weight kg/ml	w mm
G	3 CO NERV 50 G	415001	0.270	50
	3 CO NERV 75 G	415002	0.360	75
	3 CO NERV 100 G	415003	0.460	100
	3 CO NERV 147 G	415005	0.644	147
	3 CO NERV 195 G	415007	0.830	195
	3 CO NERV 316 G	415010	1.960	316
	3 CO NERV 412 G	415012	3.360	412
	3 CO NERV 507 G	415016	4.110	507
m	Description	Code	Weight kg/ml	w mm
HDG	3 CO NERV 50 HDG	468001	0.380	50
	3 CO NERV 75 HDG	468002	0.476	75
	3 CO NERV 100 HDG	468003	0.600	100
	3 CO NERV 147 HDG	468005	0.849	147
	3 CO NERV 195 HDG	468007	1.098	195
	3 CO NERV 316 HDG	468010	2.157	316
	3 CO NERV 412 HDG	468012	3.696	412
	3 CO NERV 507 HDG	468016	4.525	507



Use 8 clips every 3 metres




RS COVER CLIPS


p	Description	Code	Weight Kg/100
G	20 CLIPS RS G	644024	0.300
	p	Description	Code
SS	20 CLIPS RS SS	645024	0.500



Use 8 clips every 3 metres

COUPLERS
EP STRAIGHT COUPLERS

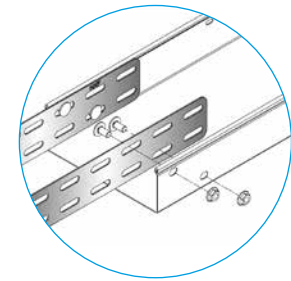
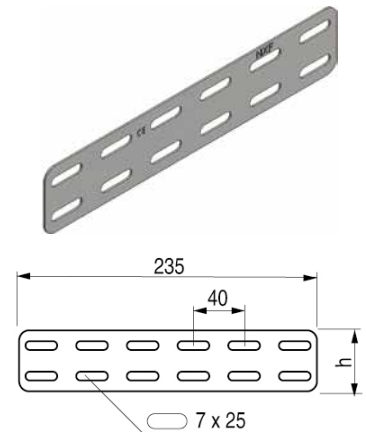
		Description	Code	Weight kg/p	Th. mm	H. mm
G	50	EP 24 G	402001	0.042	1.25	22
	50	EP 48 G	402002	0.085	1.25	46
	50	EP 72 G	402003	0.132	1.25	70
	50	EP 96 G	402004	0.177	1.25	94
		Description	Code	Weight kg/p	Th. mm	H. mm
HDG	50	EP 24 HDG	404001	0.044	1.20	22
	50	EP 48 HDG	404002	0.093	1.20	46
	50	EP 72 HDG	404003	0.140	1.20	70
	50	EP 96 HDG	404004	0.189	1.20	94
		Description	Code	Weight kg/p	Th. mm	H. mm
SS316L	50	EP 24 SS316 L	410001	0.034	1.00	22
	50	EP 48 SS316 L	410002	0.071	1.00	46
	50	EP 72 SS316 L	410003	0.109	1.00	70
	50	EP 96 SS316 L	410004	0.146	1.00	94




NB :

HDG finish: mount on the outside

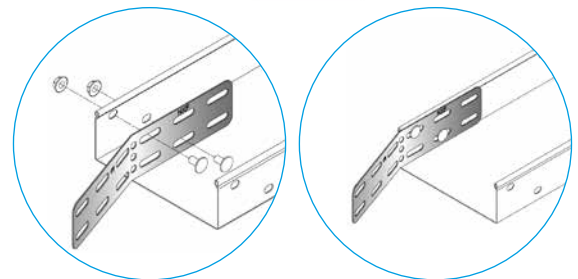
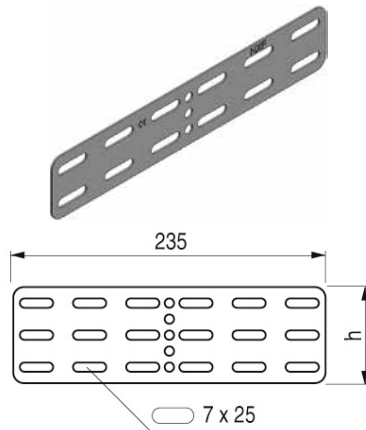
For mounting on the trunking use 4 TRCC M6x12: EZ 648001, GM 651001, SS 529001

Aluminium on request





ED BENDABLE COUPLERS

		Description	Code	Weight kg/p	Th. mm	H. mm
G	50	ED 24 G	402024	0.040	1.25	22
	50	ED 48 G	402016	0.085	1.25	46
	50	ED 72 G	402017	0.132	1.25	70
	50	ED 96 G	402018	0.177	1.25	94
		Description	Code	Weight kg/p	Th. mm	H. mm
HDG	50	ED 24 HDG	404024	0.046	1.25	22
	50	ED 48 HDG	404016	0.093	1.25	46
	50	ED 72 HDG	404017	0.140	1.25	70
	50	ED 96 HDG	404018	0.189	1.25	94
		Description	Code	Weight kg/p	Th. mm	H. mm
SS316L	50	ED 24 SS316 L	410024	0.032	1.00	22
	50	ED 48 SS316 L	410016	0.069	1.00	46
	50	ED 72 SS316 L	410017	0.106	1.00	70
	50	ED 96 SS316 L	410018	0.142	1.00	94

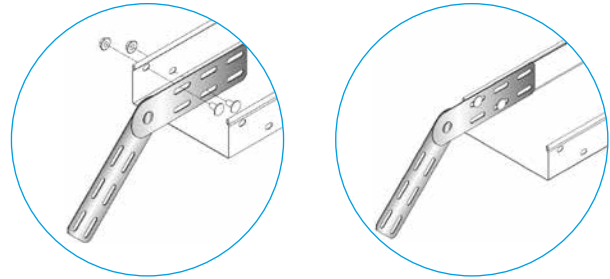
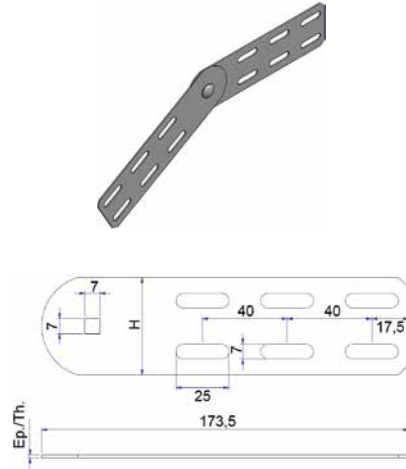
For mounting on the tray use 4 TRCC M6x12: EZ 648001, GM 651001, SS 529001

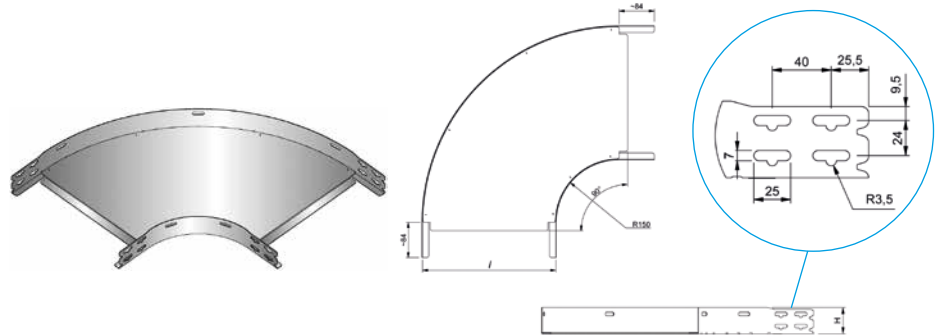


COUPLERS
EA VERTICAL ADJUSTABLE COUPLERS

		Description	Code	Weight kg/p
G	50	EA 24 G	402005	0.070
	50	EA 48 G	402006	0.150
	50	EA 72 G	402007	0.260
	50	EA 96 G	402008	0.370
		Description	Code	Weight kg/p
HDG	50	EA 24 HDG	404005	0.070
	50	EA 48 HDG	404006	0.163
	50	EA 72 HDG	404007	0.283
	50	EA 96 HDG	404008	0.403
		Description	Code	Weight kg/p
SS316L	50	EA 24 SS316 L	410005	0.070
	50	EA 48 SS316 L	410006	0.150
	50	EA 72 SS316 L	410007	0.260
	50	EA 96 SS316 L	410008	0.370

For mounting on the tray use 4 TRCC M6x12: EZ 648001, GM 651001, SS 529001



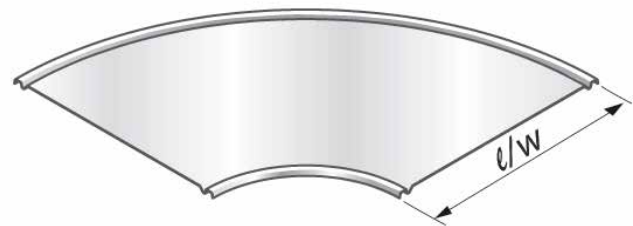
CONNECTING UNITS
GBRS 90° HORIZONTAL BEND


Width	HEIGHT 24 mm				HEIGHT 48 mm				HEIGHT 72 mm				HEIGHT 96 mm			
	G		HDG		G		HDG		G		HDG		G		HDG	
	Code	Weight kg/p	Code	Weight kg/p	Code	Weight kg/p	Code	Weight kg/p	Code	Weight kg/p	Code	Weight kg/p	Code	Weight kg/p	Code	Weight kg/p
50	518275	0.410	519275	0.451	518276	0.560	519276	0.616								
75	518280	0.480	519280	0.528	518281	0.640	519281	0.704	518282	0.800	519282	0.880				
100	518285	0.570	519285	0.627	518286	0.730	519286	0.803	518287	0.890	519287	0.979	518288	1.060	519288	1.166
147	518295	0.760	519295	0.836	518296	0.940	519296	1.034	518297	1.110	519297	1.221	518298	1.290	519298	1.419
195	518305	0.980	519305	1.078	518306	1.170	519306	1.287	518307	1.360	519307	1.496	518308	1.550	519308	1.705
316					518321	1.870	519321	2.057	518322	2.100	519322	2.310	518323	2.320	519323	2.552
412					518331	2.560	519331	2.816	518332	2.820	519332	3.102	518333	3.070	519333	3.377
507					518351	3.370	519351	3.707	518352	3.650	519352	4.015	518353	3.930	519353	4.323

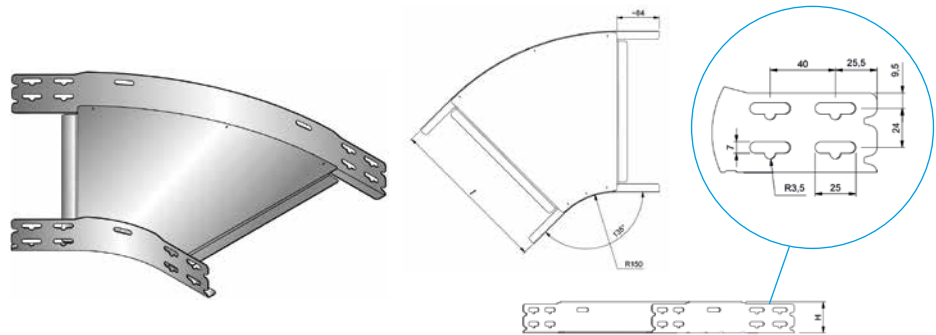
No couplers needed, use 4 BP TRCC M6x12 : G 648001, HDG 651001

GBRS 90° HORIZONTAL BEND RIBBED COVER - CO V90

	p	Description	Code	Weight kg/p
G	1	CO V90 NERV 50 G	421279	0.120
	1	CO V90 NERV 75 G	421284	0.170
	1	CO V90 NERV 100 G	421289	0.230
	1	CO V90 NERV 147 G	421299	0.360
	1	CO V90 NERV 195 G	421309	0.520
	1	CO V90 NERV 316 G	421324	1.010
	1	CO V90 NERV 412 G	421334	1.500
	1	CO V90 NERV 507 G	421354	2.090
HDG	1	CO V90 NERV 50 HDG	422279	0.132
	1	CO V90 NERV 75 HDG	422284	0.187
	1	CO V90 NERV 100 HDG	422289	0.253
	1	CO V90 NERV 147 HDG	422299	0.396
	1	CO V90 NERV 195 HDG	422309	0.572
	1	CO V90 NERV 316 HDG	422324	1.111
	1	CO V90 NERV 412 HDG	422334	1.650
	1	CO V90 NERV 507 HDG	422354	2.299



Use 5 RS clips per cover, ref. G 644024

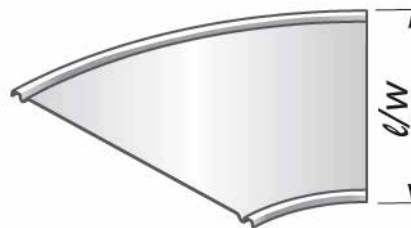
CONNECTING UNITS
GBRS 45° HORIZONTAL BEND


Width	HEIGHT 24 mm				HEIGHT 48 mm				HEIGHT 72 mm				HEIGHT 96 mm			
	G		HDG		G		HDG		G		HDG		G		HDG	
	Code	Weight kg/p	Code	Weight kg/p	Code	Weight kg/p	Code	Weight kg/p	Code	Weight kg/p	Code	Weight kg/p	Code	Weight kg/p	Code	Weight kg/p
50	518630	0.250	519630	0.275	518631	0.350	519631	0.385								
75	518360	0.290	519360	0.319	518361	0.390	519361	0.429	518362	0.490	519362	0.539				
100	518365	0.330	519365	0.363	518366	0.430	519366	0.473	518367	0.540	519367	0.594	518368	0.640	519368	0.704
147	518375	0.430	519375	0.473	518376	0.540	519376	0.594	518377	0.650	519377	0.715	518378	0.760	519378	0.836
195	518385	0.530	519385	0.583	518386	0.650	519386	0.715	518387	0.770	519387	0.847	518388	0.890	519388	0.979
316					518401	1.000	519401	1.100	518402	1.140	519402	1.254	518403	1.280	519403	1.408
412					518411	1.350	519411	1.485	518412	1.500	519412	1.650	518413	1.650	519413	1.815
507					518431	1.750	519431	1.925	518432	1.920	519432	2.112	518433	2.080	519433	2.288

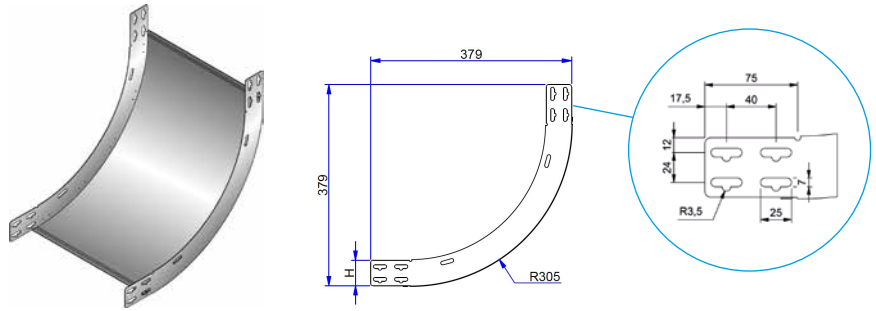
No couplers needed, use 4 BP TRCC M6x12 : G 648001, HDG 651001

GBRS 45° HORIZONTAL BEND RIBBED COVER - CO V135

	p	Description	Code	Weight kg/p
G	1	CO V135 NERV 50 G	421632	0.060
	1	CO V135 NERV 75 G	421364	0.090
	1	CO V135 NERV 100 G	421369	0.120
	1	CO V135 NERV 147 G	421379	0.180
	1	CO V135 NERV 195 G	421389	0.260
	1	CO V135 NERV 316 G	421404	0.500
	1	CO V135 NERV 412 G	421414	0.750
	1	CO V135 NERV 507 G	421434	1.040
	p	Description	Code	Weight kg/p
HDG	1	CO V135 NERV 50 HDG	422632	0.066
	1	CO V135 NERV 75 HDG	422364	0.099
	1	CO V135 NERV 100 HDG	422369	0.132
	1	CO V135 NERV 147 HDG	422379	0.198
	1	CO V135 NERV 195 HDG	422389	0.286
	1	CO V135 NERV 316 HDG	422404	0.550
	1	CO V135 NERV 412 HDG	422414	0.825
	1	CO V135 NERV 507 HDG	422434	1.144

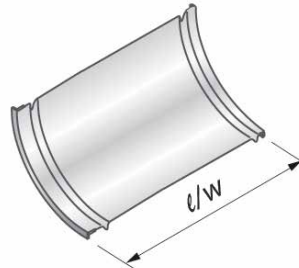


Use 3 RS clips per cover, ref. G 644024

CONNECTING UNITS
GBRS INSIDE BEND


Width	HEIGHT 24 mm				HEIGHT 48 mm				HEIGHT 72 mm				HEIGHT 96 mm			
	G		HDG		G		HDG		G		HDG		G		HDG	
	Code	Weight kg/p	Code	Weight kg/p	Code	Weight kg/p	Code	Weight kg/p	Code	Weight kg/p	Code	Weight kg/p	Code	Weight kg/p	Code	Weight kg/p
50	518445	0.550	519445	0.605	518446	0.750	519446	0.825								
75	518450	0.640	519450	0.704	518451	0.840	519451	0.924	518452	1.030	519452	1.133				
100	518455	0.730	519455	0.803	518456	0.930	519456	1.023	518457	1.120	519457	1.232	518458	1.290	519458	1.419
147	518465	0.920	519465	1.012	518466	1.120	519466	1.232	518467	1.300	519467	1.430	518468	1.470	519468	1.617
195	518475	1.100	519475	1.210	518476	1.300	519476	1.430	518477	1.490	519477	1.639	518478	1.660	519478	1.826
316					518491	1.760	519491	1.936	518492	1.950	519492	2.145	518493	2.120	519493	2.332
412					518501	2.130	519501	2.343	518502	2.320	519502	2.552	518503	2.490	519503	2.739
507					518521	2.500	519521	2.750	518522	2.690	519522	2.959	518523	2.860	519523	3.146

No couplers needed, use 4 BP TRCC M6x12 : G 648001, HDG 651001

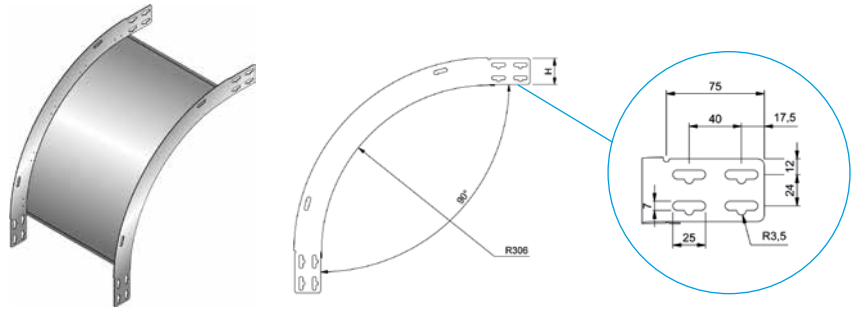
**GBRS INSIDE BEND
RIBBED COVER**


Width	HEIGHT 24 mm				HEIGHT 48 mm				HEIGHT 72 mm				HEIGHT 96 mm			
	G		HDG		G		HDG		G		HDG		G		HDG	
	Code	Weight kg/p	Code	Weight kg/p	Code	Weight kg/p	Code	Weight kg/p	Code	Weight kg/p	Code	Weight kg/p	Code	Weight kg/p	Code	Weight kg/p
50	421449	0.255	422449	0.280	421832	0.232	422832	0.256								
75	421454	0.334	422454	0.367	421833	0.305	422833	0.335	421850	0.276	422850	0.304				
100	421459	0.413	422459	0.454	421834	0.377	422834	0.415	421851	0.341	422851	0.376	421867	0.307	422867	0.337
147	421469	0.582	422469	0.640	421836	0.531	422836	0.585	421853	0.481	422853	0.529	421869	0.432	422869	0.475
195	421479	0.747	422479	0.822	421838	0.683	422838	0.751	421855	0.618	422855	0.680	421871	0.555	422871	0.610
316					421841	1.063	422841	1.170	421858	0.963	422858	1.059	421874	0.864	422874	0.951
412					421843	1.363	422843	1.499	421860	1.233	422860	1.357	421876	1.108	422876	1.218
507					421847	1.665	422847	1.831	421864	1.507	422864	1.658	421880	1.353	422880	1.489

Use 4 RS clips per cover, ref. G 644024

CONNECTING UNITS

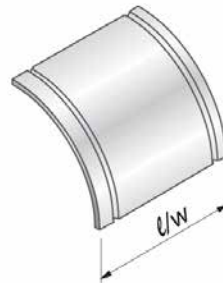
GBRS OUTSIDE BEND



Width	HEIGHT 24 mm				HEIGHT 48 mm				HEIGHT 72 mm				HEIGHT 96 mm			
	G		HDG		G		HDG		G		HDG		G		HDG	
	Code	Weight kg/p	Code	Weight kg/p	Code	Weight kg/p	Code	Weight kg/p	Code	Weight kg/p	Code	Weight kg/p	Code	Weight kg/p	Code	Weight kg/p
50	518535	0.560	519535	0.616	518536	0.838	519536	0.922								
75	518540	0.650	519540	0.715	518541	0.934	519541	1.027	518542	1.160	519542	1.276				
100	518545	0.750	519545	0.825	518546	1.029	519546	1.132	518547	1.250	519547	1.375	518548	1.520	519548	1.672
147	518555	0.930	519555	1.023	518556	1.219	519556	1.341	518557	1.430	519557	1.573	518558	1.710	519558	1.881
195	518565	1.110	519565	1.221	518566	1.409	519566	1.550	518567	1.620	519567	1.782	518568	1.890	519568	2.079
316					518581	1.885	519581	2.074	518582	2.080	519582	2.288	518583	2.350	519583	2.585
412					518591	2.266	519591	2.493	518592	2.450	519592	2.695	518593	2.720	519593	2.992
507					518611	2.647	519611	2.912	518612	2.820	519612	3.102	518613	3.090	519613	3.399

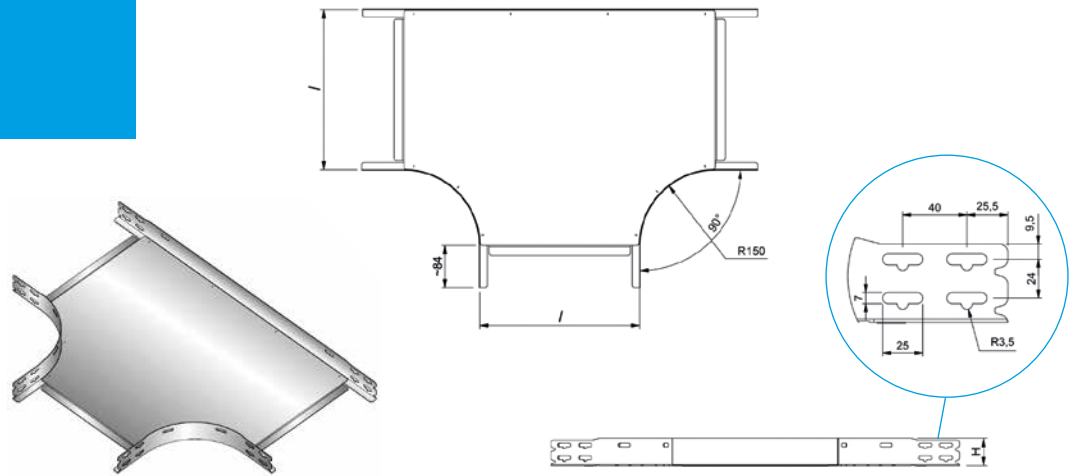
No couplers needed, use 4 BP TRCC M6x12 : G 648001, HDG 651001

GBRS OUTSIDE BEND
RIBBED COVER



Width	HEIGHT 24 mm				HEIGHT 48 mm				HEIGHT 72 mm				HEIGHT 96 mm			
	G		HDG		G		HDG		G		HDG		G		HDG	
	Code	Weight kg/p	Code	Weight kg/p	Code	Weight kg/p	Code	Weight kg/p	Code	Weight kg/p	Code	Weight kg/p	Code	Weight kg/p	Code	Weight kg/p
50	421539	0.303	422539	0.334	421883	0.325	422883	0.358								
75	421544	0.398	422544	0.438	421884	0.427	422884	0.469	421901	0.456	422901	0.501				
100	421549	0.492	422549	0.541	421885	0.528	422885	0.581	421902	0.564	422902	0.620	421918	0.599	422918	0.659
147	421559	0.693	422559	0.763	421887	0.744	422887	0.818	421904	0.794	422904	0.874	421920	0.843	422920	0.928
195	421569	0.890	422569	0.979	421889	0.955	422889	1.051	421906	1.020	422906	1.122	421922	1.083	422922	1.191
316					421892	1.488	422892	1.637	421909	1.589	422909	1.748	421925	1.687	422925	1.856
412					421894	1.906	422894	2.097	421911	2.036	422911	2.239	421927	2.161	422927	2.377
507					421898	2.329	422898	2.562	421915	2.487	422915	2.736	421931	2.641	422931	2.905

Use 4 RS clips per cover, ref. G 644024

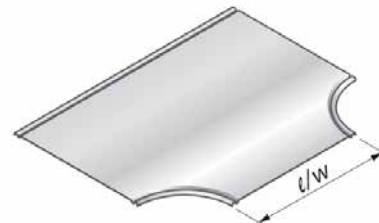
CONNECTING UNITS
GBRS TEE


Width	HEIGHT 24 mm				HEIGHT 48 mm				HEIGHT 72 mm				HEIGHT 96 mm			
	G		HDG		G		HDG		G		HDG		G		HDG	
	Code	Weight kg/p	Code	Weight kg/p	Code	Weight kg/p	Code	Weight kg/p	Code	Weight kg/p	Code	Weight kg/p	Code	Weight kg/p	Code	Weight kg/p
50	518095	0.720	519095	0.792	518096	0.920	519096	1.012								
75	518100	0.830	519100	0.913	518101	1.040	519101	1.144	518102	1.250	519102	1.140				
100	518105	0.960	519105	1.056	518106	1.180	519106	1.298	518107	1.390	519107	1.260	518108	1.610	519108	1.771
147	518115	1.240	519115	1.364	518116	1.460	519116	1.606	518117	1.690	519117	1.859	518118	1.970	519118	2.101
195	518125	1.560	519125	1.716	518126	1.790	519126	1.969	518127	2.020	519127	2.222	518128	2.260	519128	2.486
316					518141	2.760	519141	3.036	518142	3.130	519142	3.322	518143	3.410	519143	3.608
412					518151	3.710	519151	4.081	518152	4.130	519152	4.378	518153	4.430	519153	4.675
507					518171	4.790	519171	5.269	518172	5.280	519172	5.810	518173	5.600	519173	5.918

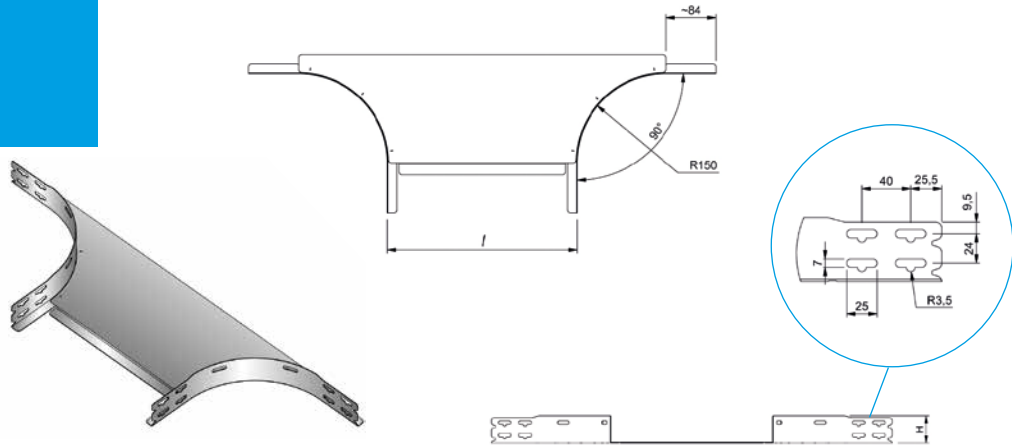
No couplers needed, use 4 BP TRCC M6x12 : G 648001, HDG 651001
 Unequal Tees on request

GBRS TEE RIBBED COVER - CO TE

	p	Description	Code	Weight kg/p
G	1	CO TE NERV 50 G	421099	0.270
	1	CO TE NERV 75 G	421104	0.360
	1	CO TE NERV 100 G	421109	0.450
	1	CO TE NERV 147 G	421119	0.670
	1	CO TE NERV 195 G	421129	0.910
	1	CO TE NERV 316 G	421144	1.640
	1	CO TE NERV 412 G	421154	2.360
	1	CO TE NERV 507 G	421174	3.190
	p	Description	Code	Weight kg/p
HDG	1	CO TE NERV 50 HDG	422099	0.297
	1	CO TE NERV 75 HDG	422104	0.396
	1	CO TE NERV 100 HDG	422109	0.495
	1	CO TE NERV 147 HDG	422119	0.737
	1	CO TE NERV 195 HDG	422129	1.001
	1	CO TE NERV 316 HDG	422144	1.735
	1	CO TE NERV 412 HDG	422154	2.596
	1	CO TE NERV 507 HDG	422174	3.509



Use 6 RS clips per cover, ref. G 644024

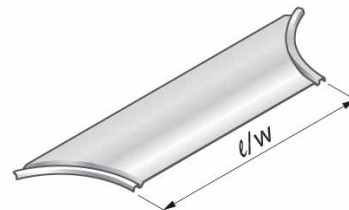
CONNECTING UNITS
GBRS TAKE OFF


Width	HEIGHT 24 mm				HEIGHT 48 mm				HEIGHT 72 mm				HEIGHT 96 mm			
	G		HDG		G		HDG		G		HDG		G		HDG	
	Code	Weight kg/p	Code	Weight kg/p	Code	Weight kg/p	Code	Weight kg/p	Code	Weight kg/p	Code	Weight kg/p	Code	Weight kg/p	Code	Weight kg/p
50	518185	0.470	518185	0.470	518186	0.590	518186	0.590								
75	518190	0.500	518190	0.500	518191	0.630	518191	0.630	518192	0.750	518192	0.750				
100	518195	0.540	518195	0.540	518196	0.660	518196	0.660	518197	0.780	518197	0.780	518198	0.930	518198	0.930
147	518205	0.600	518205	0.600	518206	0.730	518206	0.730	518207	0.870	518207	0.870	518208	1.010	518208	1.010
195	518215	0.670	518215	0.670	518216	0.790	518216	0.790	518217	0.950	518217	0.950	518218	1.090	518218	1.090
316					518231	1.000	518231	1.000	518232	1.140	518232	1.140	518233	1.280	518233	1.280
412					518241	1.150	518241	1.150	518242	1.290	518242	1.290	518243	1.430	518243	1.430
507					518261	1.300	518261	1.300	518262	1.440	518262	1.440	518263	1.580	518263	1.580

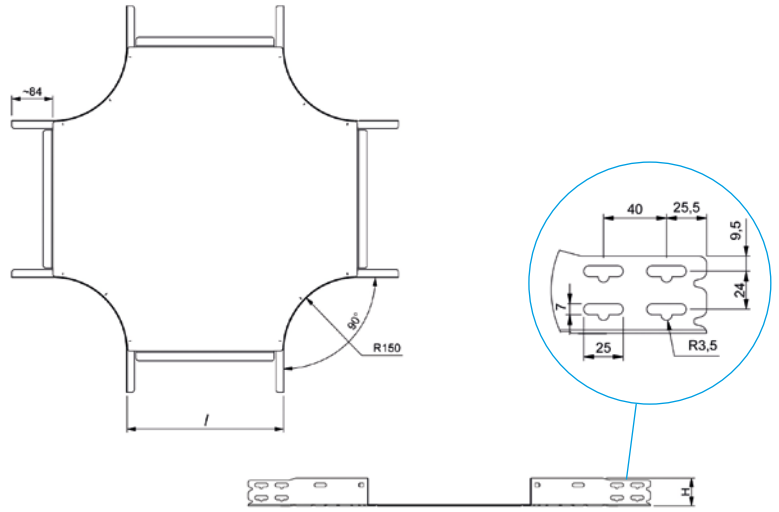
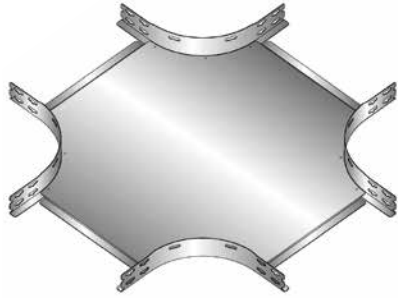
No couplers needed, use 4 BP TRCC M6x12 : G 648001, HDG 651001

GBRS TAKE OFF RIBBED COVERS - CO SLT

	p	Description	Code	Weight kg/p
G	1	CO SLT NERV 50 G	421189	0.150
	1	CO SLT NERV 75 G	421194	0.160
	1	CO SLT NERV 100 G	421199	0.180
	1	CO SLT NERV 147 G	421209	0.230
	1	CO SLT NERV 195 G	421219	0.280
	1	CO SLT NERV 316 G	421234	0.390
	1	CO SLT NERV 412 G	421244	0.470
	1	CO SLT NERV 507 G	421264	0.570
	p	Description	Code	Weight kg/p
HDG	1	CO SLT NERV 50 HDG	422189	0.165
	1	CO SLT NERV 75 HDG	422194	0.176
	1	CO SLT NERV 100 HDG	422199	0.198
	1	CO SLT NERV 147 HDG	422209	0.253
	1	CO SLT NERV 195 HDG	422219	0.308
	1	CO SLT NERV 316 HDG	422234	0.429
	1	CO SLT NERV 412 HDG	422244	0.517
	1	CO SLT NERV 507 HDG	422264	0.627



Use 4 RS clips per cover, ref. G 644024

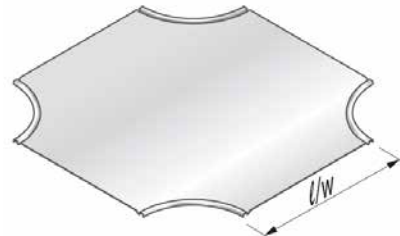
CONNECTING UNITS
GBRS CROSS


Width	HEIGHT 24 mm				HEIGHT 48 mm				HEIGHT 72 mm				HEIGHT 96 mm			
	G		HDG		G		HDG		G		HDG		G		HDG	
	Code	Weight kg/p	Code	Weight kg/p	Code	Weight kg/p	Code	Weight kg/p	Code	Weight kg/p	Code	Weight kg/p	Code	Weight kg/p	Code	Weight kg/p
50	518001	0.900	519001	0.990	518002	1.200	519002	1.320								
75	518006	1.100	519006	1.210	518007	1.300	519007	1.430	518008	1.600	519008	1.760				
100	518011	1.200	519011	1.320	518012	1.500	519012	1.650	518013	1.700	519013	1.870	518014	2.000	519014	2.200
147	518021	1.500	519021	1.650	518022	1.800	519022	1.980	518023	2.000	519023	2.200	518024	2.360	519024	2.600
195	518031	1.900	519031	2.090	518032	2.100	519032	2.310	518033	2.400	519033	2.640	518034	2.750	519034	3.020
316					518047	3.200	519047	3.520	518048	3.400	519048	3.740	518049	3.870	519049	4.260
412					518057	4.200	519057	4.620	518058	4.400	519058	4.840	518059	4.940	519059	5.430
507					518081	5.300	519081	5.830	518082	5.600	519082	6.160	518083	6.140	519083	6.760

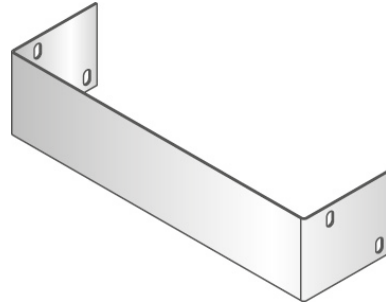
No couplers needed, use 4 BP TRCC M6x12 : G 648001, HDG 651001
 Unequal crosses on request

GBRS CROSS RIBBED COVER - CO CX

	p	Description	Code	Weight kg/p
G	1	CO CROIX NERV 50 G	421005	0.390
	1	CO CROIX NERV 75 G	421010	0.500
	1	CO CROIX NERV 100 G	421015	0.610
	1	CO CROIX NERV 147 G	421025	0.870
	1	CO CROIX NERV 195 G	421035	1.150
	1	CO CROIX NERV 316 G	421050	1.990
	1	CO CROIX NERV 412 G	421060	2.790
	1	CO CROIX NERV 507 G	421084	3.710
HDG	1	CO CROIX NERV 50 HDG	422005	0.429
	1	CO CROIX NERV 75 HDG	422010	0.550
	1	CO CROIX NERV 100 HDG	422015	0.671
	1	CO CROIX NERV 147 HDG	422025	0.957
	1	CO CROIX NERV 195 HDG	422035	1.265
	1	CO CROIX NERV 316 HDG	422050	2.189
	1	CO CROIX NERV 412 HDG	422060	3.135
	1	CO CROIX NERV 507 HDG	422084	4.081



Use 8 RS clips per cover, ref. G 644024

CONNECTING UNITS
END PLATES


Width	HEIGHT 48 mm				HEIGHT 72 mm				HEIGHT 96 mm			
	G		HDG		G		HDG		G		HDG	
	Code	Weight	Code	Weight	Code	Weight	Code	Weight	Code	Weight	Code	Weight
195	421664	0.160	422664	0.160	421681	0.240	422681	0.240	421697	0.330	422697	0.330
316	421710	0.180	422667	0.220	421684	0.330	422684	0.330	421700	0.440	422700	0.440
412	421669	0.400	422669	0.260	421686	0.260	422686	0.390	421702	0.530	422702	0.530
507	421673	0.310	422673	0.310	421690	0.470	422690	0.470	421706	0.620	422706	0.620
604	421675	0.337	422675	0.350	421692	0.530	422692	0.530	421708	0.710	422708	0.710

GRS TRUNKING


THE reference in terms of mechanical protection and EMC, in particular for communication cables



- Safety return flange allowing fastening of cover clips
- IPx index increased
- Economical assembly: fewer supports required due to higher resistance of the profile shape
- EMC according to EN 50085 standard

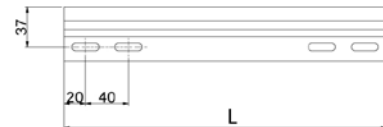
Upon request:

- Other dimensions
- Other finishes: HDG or Stainless steel

GRS H48

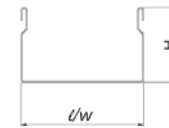
 m	Description	Code	Weight kg/ml	Th. mm	W. mm
3	GRS 48x48x0.75 G	027001	0.990	0.75	48
3	GRS 48x72x0.75 G	027002	1.130	0.75	72
3	GRS 48x96x0.75 G	027003	1.270	0.75	96
3	GRS 48x120x0.75 G	027004	1.410	0.75	120
3	GRS 48x144x0.75 G	027005	1.550	0.75	144
3	GRS 48x192x1.00 G	027007	2.450	1.00	192
3	GRS 48x312x1.00 G	027012	3.390	1.00	312
3	GRS 48x408x1.00 G	027016	4.150	1.00	408
3	GRS 48x504x1.25 G	027020	6.120	1.25	504

 m	Description	Code	Weight kg/ml	Th. mm	W. mm
 3	GRS 48x48x0.80 SS304 L	327001	1.050	0.80	48
3	GRS 48x72x0.80 SS304 L	327002	1.210	0.80	72
3	GRS 48x96x0.80 SS304 L	327003	1.360	0.80	96
3	GRS 48x120x0.80 SS304 L	327004	1.520	0.80	120
3	GRS 48x144x0.80 SS304 L	327005	1.670	0.80	144
3	GRS 48x192x0.80 SS304 L	327007	1.970	0.80	192
3	GRS 48x312x0.80 SS304 L	327012	2.730	0.80	312
3	GRS 48x408x0.80 SS304 L	327016	3.330	0.80	408
3	GRS 48x504x1.00 SS304 L	327020	4.890	1.00	504

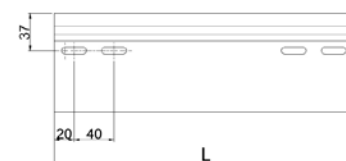
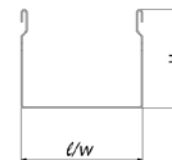
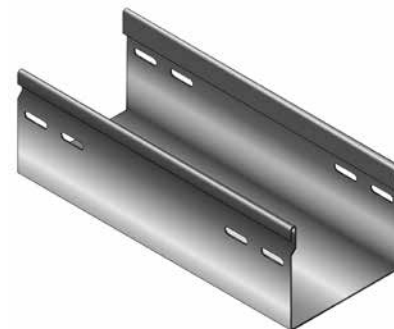


GRS TRUNKING
GRS H72





m	Description	Code	Weight kg/ml	Th. mm	W. mm
6	GRS 72x72x0.75 G	027032	1.410	0.75	72
	GRS 72x96x0.75 G	027033	1.550	0.75	96
	GRS 72x120x0.75 G	027034	1.690	0.75	120
	GRS 72x144x1.00 G	027035	2.450	1.00	144
	GRS 72x192x1.00 G	027037	2.830	1.00	192
	GRS 72x312x1.00 G	027042	3.770	1.00	312
	GRS 72x408x1.25 G	027046	5.650	1.25	408
	GRS 72x504x1.25 G	027050	6.500	1.25	504
m	Description	Code	Weight kg/ml	Th. mm	W. mm
SS304L	GRS 72x72x0.80 SS304 L	327032	1.520	0.80	72
	GRS 72x96x0.80 SS304 L	327033	1.670	0.80	96
	GRS 72x120x0.80 SS304 L	327034	1.810	0.80	120
	GRS 72x144x0.80 SS304 L	327035	1.970	0.80	144
	GRS 72x192x0.80 SS304 L	327037	2.470	0.80	192
	GRS 72x312x0.80 SS304 L	327042	3.030	0.80	312
	GRS 72x408x1.00 SS304 L	327046	4.550	1.00	408
	GRS 72x504x1.00 SS304 L	327050	5.275	1.00	504


GRS H96

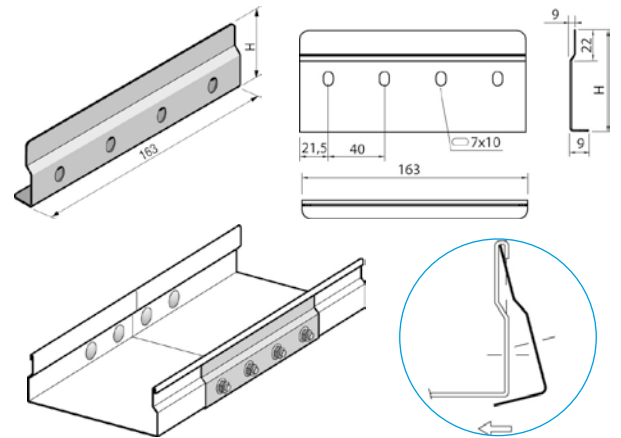
m	Description	Code	Weight kg/ml	Th. mm	W. mm
6	GRS 96x96x1.00 G	027063	2.450	1.00	96
	GRS 96x120x1.00 G	027064	2.640	1.00	120
	GRS 96x144x1.00 G	027065	2.830	1.00	144
	GRS 96x192x1.00 G	027067	3.200	1.00	192
	GRS 96x312x1.00 G	027072	4.150	1.00	312
	GRS 96x408x1.25 G	027076	6.120	1.25	408
	GRS 96x504x1.25 G	027080	7.070	1.25	504
m	Description	Code	Weight kg/ml	Th. mm	W. mm
SS304L	GRS 96x96x0.80 SS304 L	327063	1.970	0.80	96
	GRS 96x120x0.80 SS304 L	327064	2.120	0.80	120
	GRS 96x144x0.80 SS304 L	327065	2.280	0.80	144
	GRS 96x192x0.80 SS304 L	327067	2.580	0.80	192
	GRS 96x312x0.80 SS304 L	327072	3.330	0.80	312
	GRS 96x408x1.00 SS304 L	327076	4.920	1.00	408
	GRS 96x504x1.00 SS304 L	327080	5.680	1.00	504







ACCESSORIES
EGRS COUPLER

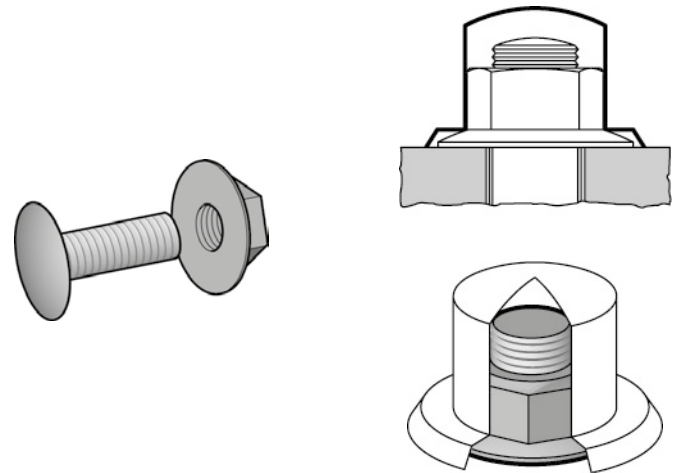
		Description	Code	Weight kg/p	Th. mm	H. mm
	20	EGRS 48 G	027901	0.068	1.00	48
	20	EGRS 72 G	027902	0.100	1.00	72
	20	EGRS 96 G	027903	0.130	1.00	96
		Description	Code	Weight kg/p	Th. mm	H. mm
	20	EGRS 48 SS304 L	327901	0.069	1.00	48
	20	EGRS 72 SS304 L	327902	0.101	1.00	72
	20	EGRS 96 SS304 L	327903	0.130	1.00	96



Mounting with 4 BP TRCC M6x12 : EZ 648001, SS 529001

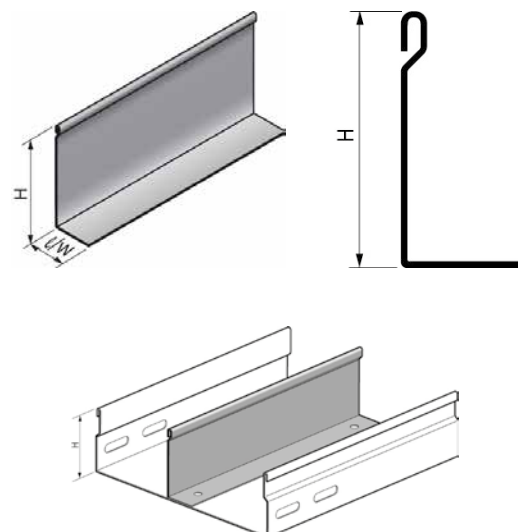

TRCC + HE PANHEAD BOLTS

		Description	Code	Weight kg/100
	100	TRCC M6x12 HE EZ	648001	0.800
		Description	Code	Weight kg/100
	100	NUT COVER M6 BLACK PVC	085095	0.500

M6 PVC nut cover - ref 085095 - on request

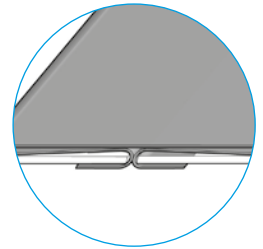
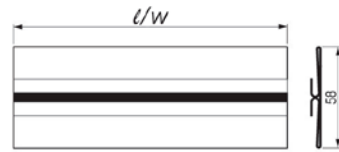
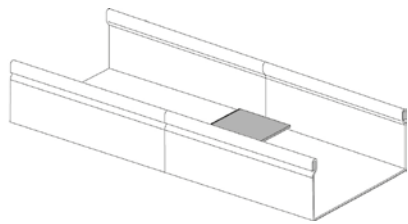
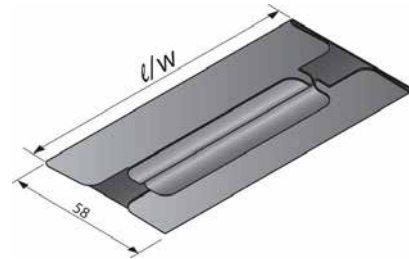

LPS NP DIVIDERS

		Description	Code	Weight kg/ml	Th. mm	H. mm
	3	LPSNP H48/51x0.80 G	014641	0.420	0.75	48
	3	LPS NP H72/75x0.80 G	014642	0.580	0.75	72
	3	LPS NP H96/99x1.00 G	014643	0.970	1.00	96

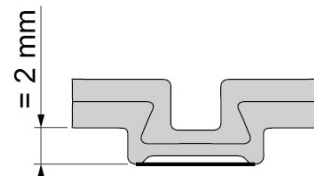
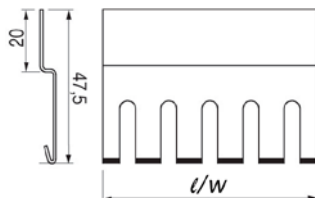
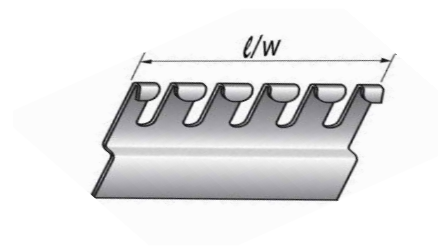
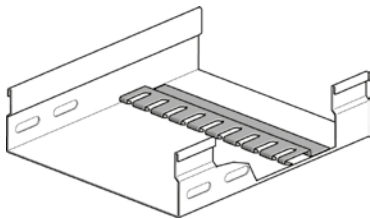
 Achieves EMC compatibility between circuits
 Factory-fitted upon request by rivetless punching or spot-welding


ACCESSORIES
FD FISHPLATE COUPLER


p	Description	Code	Weight kg/p	Th. mm	L. mm
6	1 FD 75 G	013901	0.050	0.60	68
	1 FD 100 G	013902	0.070	0.60	92
	1 FD 123 G	013903	0.090	0.60	116
	1 FD 147 G	013904	0.110	0.60	140
	1 FD 195 G	013906	0.150	0.60	188
	1 FD 316 G	013911	0.260	0.60	308
	1 FD 412 G	013915	0.350	0.60	404
	1 FD 507 G	013919	0.430	0.60	500



ZP FOR CABLE FASTENING : UPON REQUEST
Patented quick fastening of pipe clamp with lock system

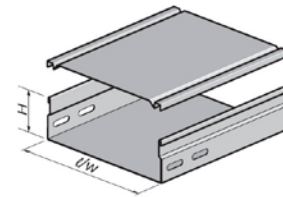
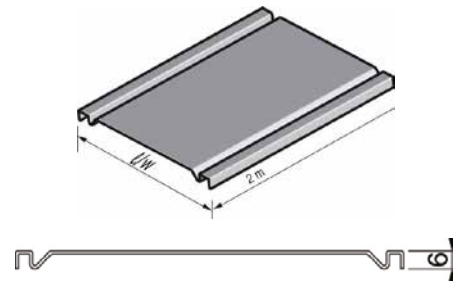
- Space saving design
- Factory-fitted upon request by rivetless punching or spot-welding
- Can be used with LPSNP dividers



COVERS, CLIPS, JUNCTIONS AND END-PLATES
C02 COVERS


		Description	Code	Weight kg/ml	Th. mm
G	2	C02 50 G	005001	0.420	0.75
	2	C02 75 G	005002	0.570	0.75
	2	C02 100 G	005003	0.710	0.75
	2	C02 123 G	005004	0.850	0.75
	2	C02 147 G	005005	0.990	0.75
	2	C02 195 G	005007	1.270	0.75
	2	C02 316 G	005012	2.640	1.00
	2	C02 412 G	005016	3.390	1.00
	2	C02 507 G	005020	4.140	1.00


		Description	Code	Weight kg/ml	Th. mm
SS304L	2	C02 50 SS304 L	305001	0.460	0.80
	2	C02 75 SS304 L	305002	0.610	0.80
	2	C02 100 SS304 L	305003	0.760	0.80
	2	C02 123 SS304 L	305004	0.910	0.80
	2	C02 147 SS304 L	305005	1.060	0.80
	2	C02 195 SS304 L	305007	1.370	0.80
	2	C02 316 SS304 L	305012	2.120	0.80
	2	C02 412 SS304 L	305016	2.730	0.80
	2	C02 507 SS304 L	305020	3.340	0.80



- Also suitable for applications where dismantling requires tools
- Removal with tool only: use C06 clips
- Self tapping screw or pipe clamp available upon request
- Requires 6 clips every 2 metres

C03 COVER CLIPS

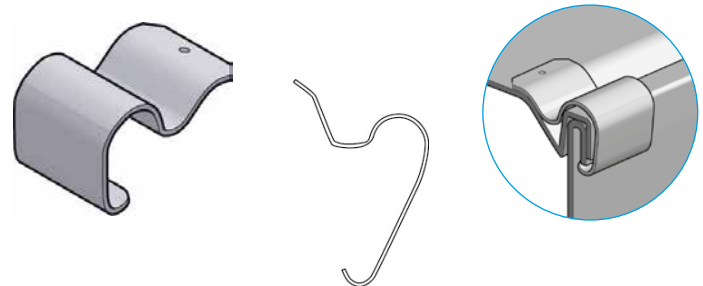
		Description	Code	Weight kg/100
SS	100	CLIPS C03 SS	023450	0.300


		Description	Code	Weight kg/100
EP	100	CLIPS C03 RILSAN COATED	023451	0.300

The use of C03 Rilsan coated clips is recommended for:

- Cable tray or trunking made of aluminium
- In case of severe corrosion risks

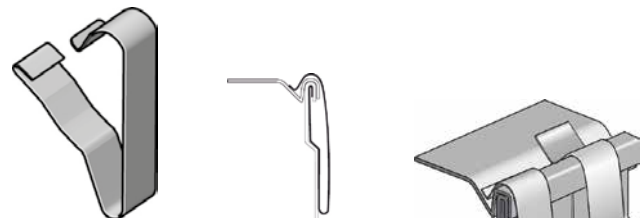
Use 6 clips every 2 metres



C06 CAPTIVE CLIPS

		Description	Code	Weight kg/100
SS	100	CLIPS C06 SS	023454	0.800

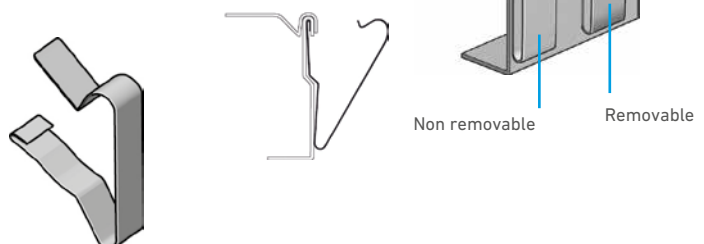
Tamper proof mounting of GRS covers.

For some applications, installation standards may require that the cover should be removed only by means of a tool. In this case, we suggest the use of self-tapping screws, clamps or bindings.


C07 CAPTIVE CLIPS

		Description	Code	Weight kg/100
SS	100	CLIPS C07 SS	023455	0.900

Removable

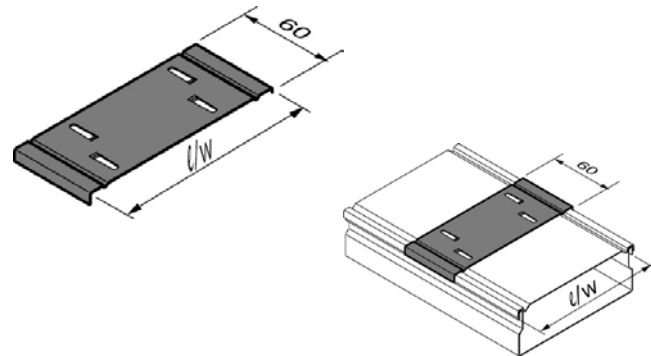




COVERS, CLIPS, JUNCTIONS AND END-PLATES

EMC JUNCTIONS FOR C02 COVERS

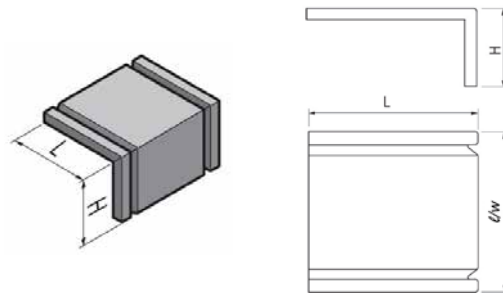
p	Description	Code	Weight kg/p	Th. mm
6	1 J C02 EMC 50 G	040060	0.032	1.00
	1 J C02 EMC 75 G	040061	0.043	1.00
	1 J C02 EMC 100 G	040062	0.054	1.00
	1 J C02 EMC 123 G	040063	0.065	1.00
	1 J C02 EMC 147 G	040064	0.077	1.00
	1 J C02 EMC 195 G	040066	0.990	1.00
	1 J C02 EMC 316 G	040071	0.156	1.00
	1 J C02 EMC 412 G	040075	0.202	1.00
	1 J C02 EMC 507 G	040079	0.247	1.00
	1 J C02 EMC 604 G	040083	0.292	1.00



Dustproof, excellent EMC protection

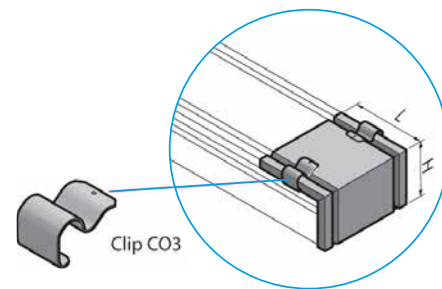
FGRS H48 END PLATES

p	Description	Code	Weight kg/p	Th. mm
6	10 FGRS 48x48 G	028721	0.086	1.00
	10 FGRS 48x72 G	028722	0.115	1.00
	10 FGRS 48x96 G	028723	0.144	1.00
	10 FGRS 48x120 G	028724	0.173	1.00
	10 FGRS 48x144 G	028725	0.202	1.00
	10 FGRS 48x192 G	028727	0.259	1.00
	10 FGRS 48x312 G	028732	0.404	1.00
	10 FGRS 48x408 G	028736	0.519	1.00
	10 FGRS 48x504 G	028740	0.634	1.00



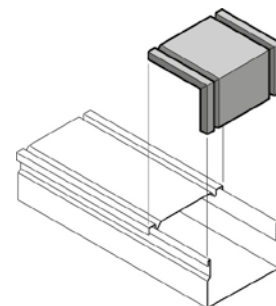
FGRS H72 END PLATES

p	Description	Code	Weight kg/p	Th. mm
6	10 FGRS 72x72 G	028752	0.115	1.00
	10 FGRS 72x96 G	028753	0.144	1.00
	10 FGRS 72x120 G	028754	0.173	1.00
	10 FGRS 72x144 G	028755	0.202	1.00
	10 FGRS 72x192 G	028757	0.259	1.00
	10 FGRS 72x312 G	028762	0.404	1.00
	10 FGRS 72x408 G	028766	0.519	1.00
	10 FGRS 72x504 G	028770	0.634	1.00

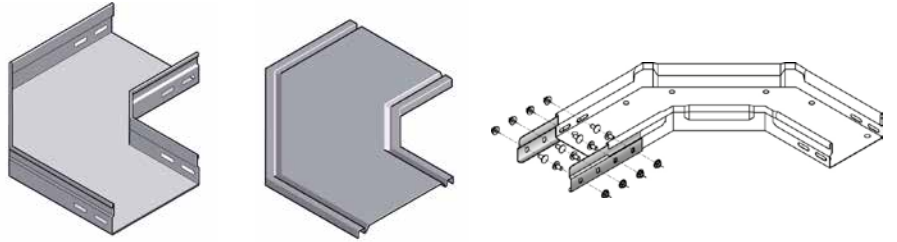


FGRS H96 END PLATES

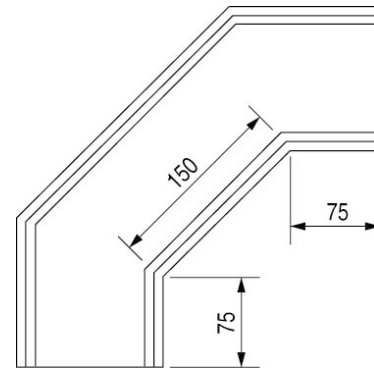
p	Description	Code	Weight kg/p	Th. mm
6	10 FGRS 96x96 G	028783	0.217	1.00
	10 FGRS 96x120 G	028784	0.260	1.00
	10 FGRS 96x144 G	028785	0.303	1.00
	10 FGRS 96x312 G	028792	0.607	1.00
	10 FGRS 96x408 G	028796	0.780	1.00
	10 FGRS 96x504 G	028800	0.953	1.00



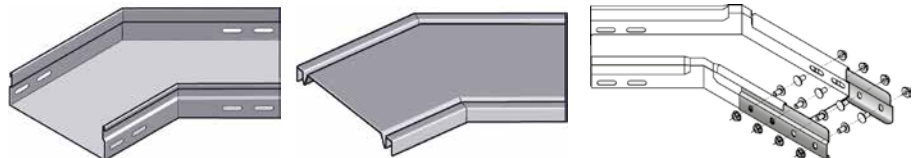
Other dimensions, HDG and Stainless steel on request

CONNECTING UNITS
GRS 90° BEND + COVER


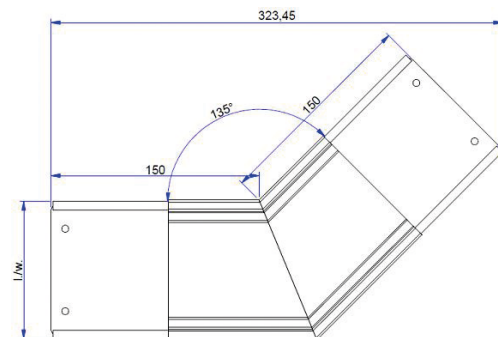
Width	H.48 mm		H.72 mm		H.96 mm	
	Code	Weight kg/p	Code	Weight kg/p	Code	Weight kg/p
48	030001	0.950				
72	030002	1.150	030015	1.340		
96	030003	1.370	030016	1.560	030028	1.760
120	030004	1.590	030017	1.800	030029	2.000
144	030005	1.840	030018	2.050	030030	2.260
192	030007	2.370	030020	2.600	085670	3.100
312	030010	3.920	030023	4.180	030034	4.450
408	030012	6.040	030025	6.330	030036	6.630
504	030014	7.960	030027	8.290	030038	8.610



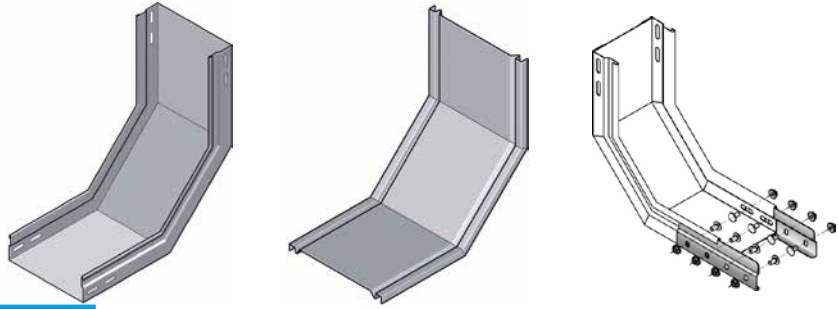
- Mount with **EGRS coupler + 4 M6x12 TRCC HE**
- Fix cover with 6 clips

GRS 45° BEND + COVER


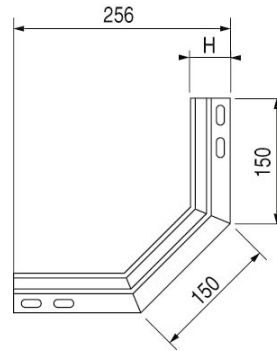
Width	H.48 mm		H.72 mm		H.96 mm	
	Code	Weight kg/p	Code	Weight kg/p	Code	Weight kg/p
48	030040	0.580				
72	030041	0.700	030054	0.820		
96	030042	0.810	030055	0.940	030067	1.070
120	030043	0.940	030056	1.070	030068	1.200
144	030044	1.070	030057	1.210	030069	1.340
192	030046	1.360	030059	1.500	085671	1.630
312	030049	2.180	030062	2.350	030073	2.510
408	030051	3.340	030064	3.520	030075	3.690
504	030053	4.360	030066	4.550	030077	4.740



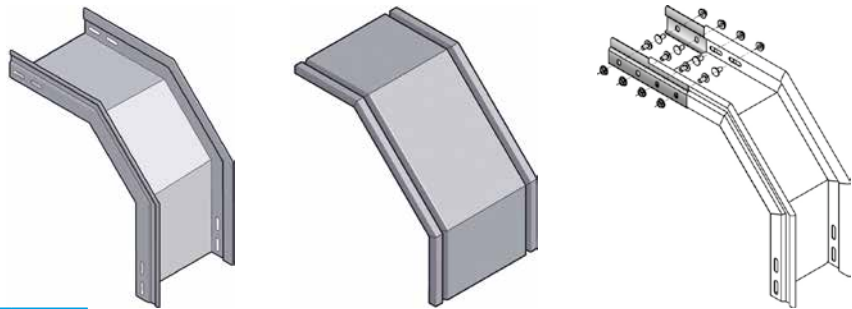
- Mount with **EGRS coupler + 4 M6x12 TRCC HE**
- Fix cover with 4 clips

CONNECTING UNITS
GRS INSIDE BEND + COVER


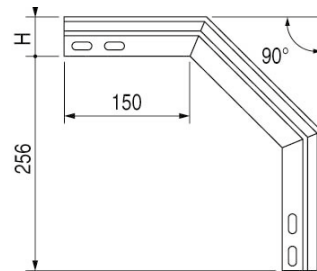
Width	H.48 mm		H.72 mm		H.96 mm	
	Code	Weight kg/p	Code	Weight kg/p	Code	Weight kg/p
48	030080	0.780				
72	030081	0.900	030094	1.010		
96	030082	1.020	030095	1.120	030107	1.220
120	030083	1.140	030096	1.240	030108	1.340
144	030084	1.260	030097	1.360	030109	1.460
192	030086	1.490	030099	1.600	085672	1.690
312	030089	2.090	030102	2.200	030113	2.540
408	030091	2.930	030104	3.040	030115	3.130
504	030093	3.490	030106	3.600	030117	3.690



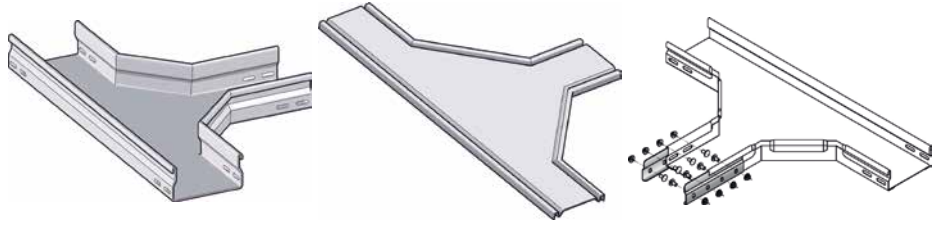
- Mount with **EGRS coupler + 4 M6x12 TRCC HE**
- Fix cover with 6 clips

GRS OUTSIDE BEND + COVER


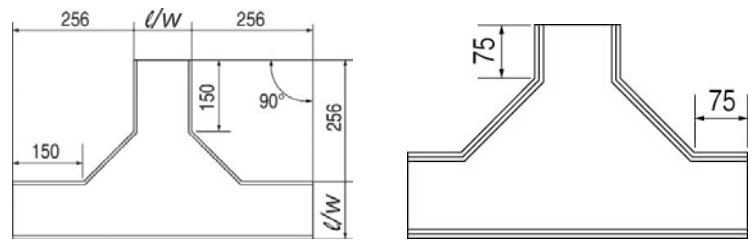
Width	H.48 mm		H.72 mm		H.96 mm	
	Code	Weight kg/p	Code	Weight kg/p	Code	Weight kg/p
48	030120	1.070				
72	030121	1.220	030134	1.450		
96	030122	1.380	030135	1.610	030147	1.850
120	030123	1.530	030136	1.760	030148	2.010
144	030124	1.680	030137	1.920	030149	2.160
192	030126	2.000	030139	2.230	085673	2.460
312	030129	2.770	030142	3.010	030153	3.250
408	030131	3.760	030144	3.990	030155	4.240
504	030133	4.460	030146	4.700	030157	4.940



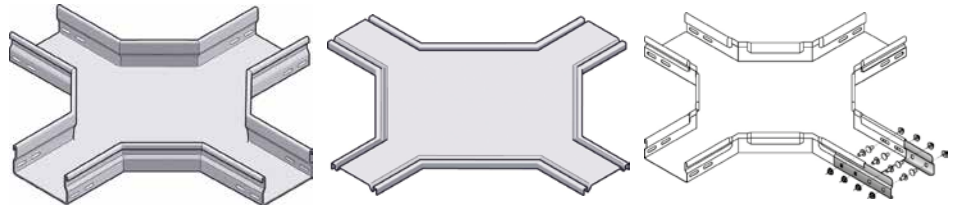
- Mount with **EGRS coupler + 4 TRCC HE**
- Fix cover with 6 clips

CONNECTING UNITS
GRS TEE + COVER


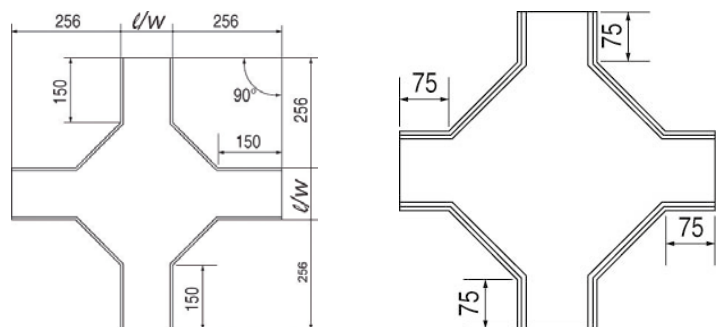
Width	H.48 mm		H.72 mm		H.96 mm	
	Code	Weight kg/p	Code	Weight kg/p	Code	Weight kg/p
48	030200	1.630				
72	030201	1.910	030214	2.180		
96	030202	2.200	030215	2.480	030227	2.760
120	030203	2.500	030216	2.780	030228	3.070
144	030204	2.810	030217	3.110	030229	3.400
192	030206	3.510	030219	3.810	085674	4.110
312	030209	5.620	030222	5.940	030233	6.830
408	030211	8.980	030224	9.320	030235	9.660
504	030213	11.670	030226	12.030	030237	12.390



- Mount with **EGRS coupler + 4 M6x12 TRCC HE**
- Fix cover with 8 clips

GRS CROSS + COVER


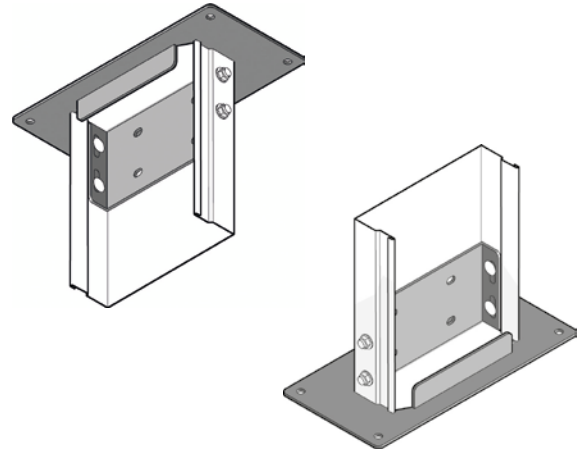
Width	H.48 mm		H.72 mm		H.96 mm	
	Code	Weight kg/p	Code	Weight kg/p	Code	Weight kg/p
48	030160	2.090				
72	030161	2.500	030174	2.840		
96	030162	2.840	030175	3.180	030187	3.510
120	030163	3.190	030176	3.530	030188	3.870
144	030164	3.570	030177	3.900	030189	4.240
192	030166	4.360	030179	4.700	085680	5.050
312	030169	6.830	030182	7.170	030193	7.310
408	030171	10.650	030184	10.990	030195	11.330
504	030173	13.630	030186	13.960	030197	14.300



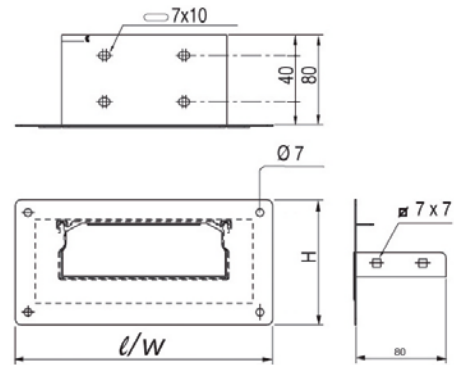
- Mount with **EGRS coupler + 4 TRCC HE**
- Fix cover with 12 clips

CABINET JUNCTION
GRS H48 CABINET JUNCTION

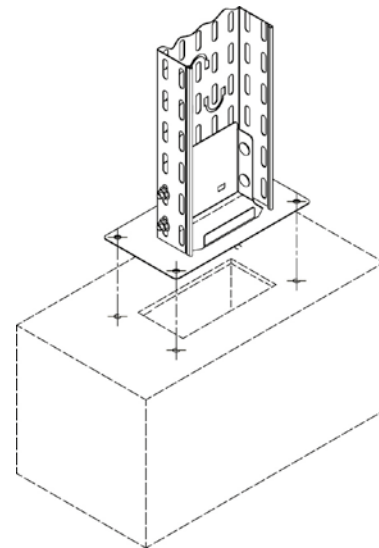
p	Description	Code	Weight kg/p	Th. mm
1	RAC GRS 48x48 G	029501	0.161	1.00
1	RAC GRS 48x72 G	029502	0.197	1.00
1	RAC GRS 48x96 G	029503	0.232	1.00
1	RAC GRS 48x120 G	029504	0.267	1.00
1	RAC GRS 48x144 G	029505	0.302	1.00
1	RAC GRS 48x192 G	029507	0.373	1.00
1	RAC GRS 48x312 G	029512	0.549	1.00
1	RAC GRS 48x408 G	029516	0.690	1.00
1	RAC GRS 48x504 G	029520	0.834	1.00


GRS H72 CABINET JUNCTION

p	Description	Code	Weight kg/p	Th. mm
1	RAC GRS 72x72 G	029532	0.250	1.00
1	RAC GRS 72x96 G	029533	0.285	1.00
1	RAC GRS 72x120 G	029534	0.321	1.00
1	RAC GRS 72x144 G	029535	0.356	1.00
1	RAC GRS 72x192 G	029537	0.426	1.00
1	RAC GRS 72x312 G	029542	0.603	1.00
1	RAC GRS 72x408 G	029546	0.743	1.00
1	RAC GRS 72x504 G	029550	0.884	1.00
1	RAC GRS 72x600 G	029554	1.025	1.00


GRS H96 CABINET JUNCTION

p	Description	Code	Weight kg/p	Th. mm
1	RAC GRS 96x96 G	029563	0.339	1.00
1	RAC GRS 96x120 G	029564	0.374	1.00
1	RAC GRS 96x144 G	029565	0.409	1.00
1	RAC GRS 96x192 G	029567	0.480	1.00
1	RAC GRS 96x312 G	029572	0.656	1.00
1	RAC GRS 96x408 G	029576	0.797	1.00
1	RAC GRS 96x504 G	029580	0.937	1.00
1	RAC GRS 96x600 G	029584	1.079	1.00



GP TRUNKING & COVER

Recommended for heavy loads, reinforced protection for floor assembly, particularly suitable for industrial applications

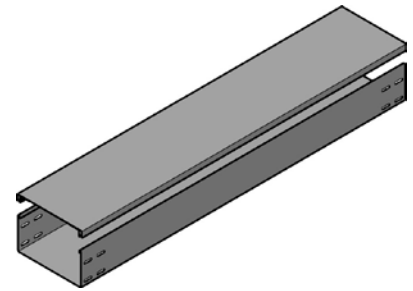
- Length: 2 m
- Thickness 1,5 or 2 mm for any configuration
- Other dimensions upon request

Covers:

- Clip-on, strong thickness for walkable applications
- Non slip version upon request

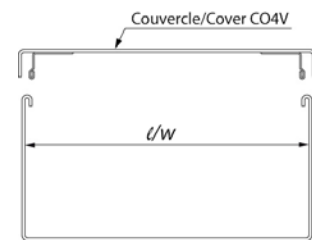
GP TRUNKING - 1,50 MM

m	Description	Code	Weight kg/ml	Th. mm	Ins.w mm
2	GP 96x96x1.50 2M G	022532	3.673	1.50	96
2	GP 96x120x1.50 2M G	022533	3.956	1.50	120
2	GP 96x144x1.50 2M G	022534	4.240	1.50	144
2	GP 96x192x1.50 2M G	022536	4.790	1.50	192
2	GP 96x312x1.50 2M G	022538	6.220	1.50	312
2	GP 96x408x1.50 2M G	022539	5.348	1.50	408
2	GP 96x504x1.50 2M G	022540	8.478	1.50	504



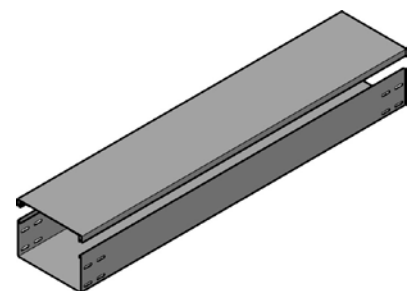
GP COVER - 1,50 MM

m	Description	Code	Weight kg/ml	Th. mm
2	CO GP 96x1.50 2M G	022552	2.475	1.50
2	CO GP 120x1.50 2M G	022553	2.758	1.50
2	CO GP 144x1.50 2M G	022554	3.040	1.50
2	CO GP 192x1.50 2M G	022556	3.606	1.50
2	CO GP 312x1.50 2M G	022558	5.019	1.50
2	CO GP 408x1.50 2M G	022559	6.149	1.50
2	CO GP 504x1.50 2M G	022560	7.279	1.50



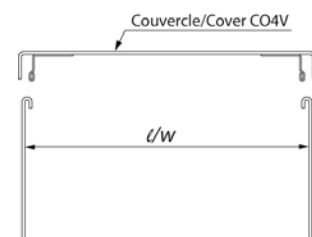
GP TRUNKING - 2,00 MM

m	Description	Code	Weight kg/ml	Th. mm	Ins.w mm
2	GP 96x96x2.00 2M G	085936	4.900	2.00	96
2	GP 96x120x2.00 2M G	086945	5.280	2.00	120
2	GP 96x144x2.00 2M G	086990	5.650	2.00	144
2	GP 96x192x2.00 2M G	085696	6.410	2.00	192
2	GP 96x312x2.00 2M G	085698	8.290	2.00	312
2	GP 96x408x2.00 2M G	086047	9.800	2.00	408
2	GP 96x504x2.00 2M G	087953	11.300	2.00	504



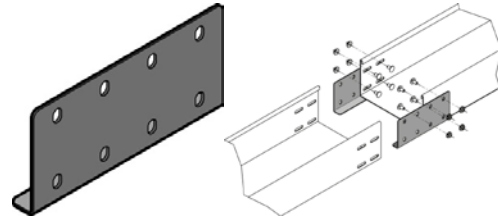
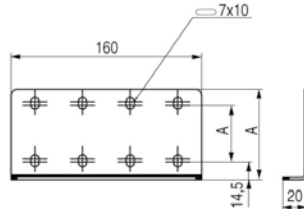
GP COVER - 2,00 MM

m	Description	Code	Weight kg/ml	Th. mm
2	CO GP 96x2.00 2M G	085937	3.013	2.00
2	CO GP 120x2.00 2M G	086946	3.390	2.00
2	CO GP 144x2.00 2M G	086256	3.767	2.00
2	CO GP 192x2.00 2M G	085697	4.520	2.00
2	CO GP 312x2.00 2M G	085699	6.404	2.00
2	CO GP 408x2.00 2M G	086048	7.911	2.00
2	CO GP 504x2.00 2M G	086250	9.419	2.00

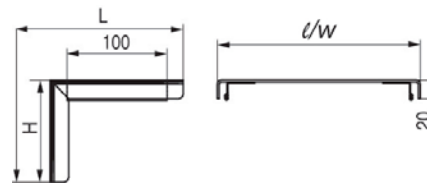
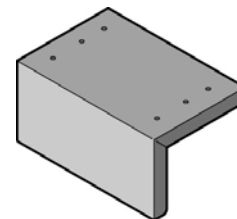


ACCESSORIES
EGP COUPLER

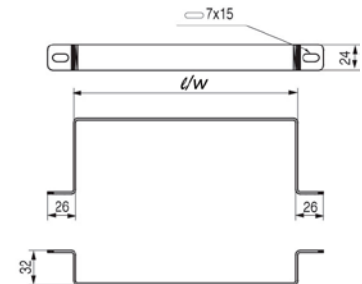
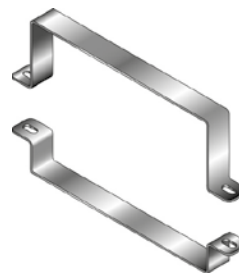
p	Description	Code	Weight kg/p	Th. mm	L. mm
6	EGP 96x160 G	085723	0.231	2.00	160


FGP END PLATE

p	Description	Code	Weight kg/p	Th. mm
6	FGP 96x96 G	086200	0.585	2.00
	FGP 96x120 G	087954	0.670	2.00
	FGP 96x144 G	087955	0.760	2.00
	FGP 96x192 G	085708	0.935	2.00
	FGP 96x312 G	085935	1.372	2.00
	FGP 96x408 G	086059	1.721	2.00
	FGP 96x504 G	087957	2.070	2.00


GP FASTENERS

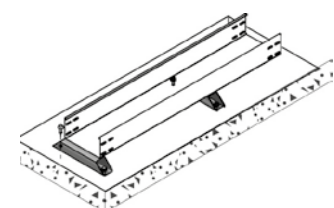
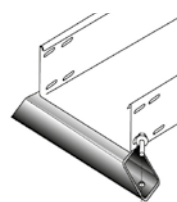
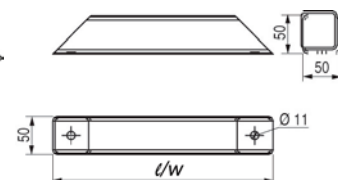
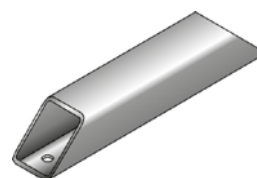
p	Description	Code	Weight kg/p
6	FAST. GP 96x96x2.0 + B G	087418	0.195
	FAST. GP 96x120x2.0 + B G	087995	0.213
	FAST. GP 96x144x2.0 + B G	087996	0.232
	FAST. GP 96x192x2.0 + B G	085725	0.268
	FAST. GP 96x312x2.0 + B G	086440	0.358
	FAST. GP 96x408x2.0 + B G	087419	0.431
	FAST. GP 96x504x2.0 + B G	087999	0.503



Delivered with TRCC bolts



GP FLOOR BRACKET

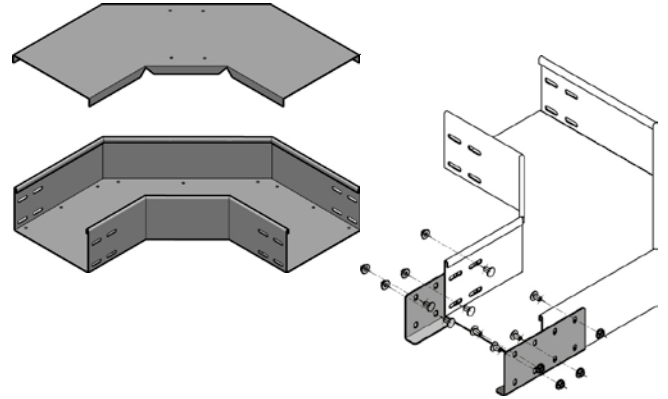
p	Description	Code	Weight kg/p	Th. mm	L. mm
LAC	BRACKET GP 96 LAC	098002	0.440	2.00	200
	BRACKET GP 120 LAC	098003	0.510	2.00	224
	BRACKET GP 144 LAC	098004	0.580	2.00	248
	BRACKET GP 192 LAC	098006	0.720	2.00	296
	BRACKET GP 312 LAC	098011	1.070	2.00	416
	BRACKET GP 408 LAC	098015	1.350	2.00	512
	BRACKET GP 504 LAC	098019	1.640	2.00	608




For floor fixing

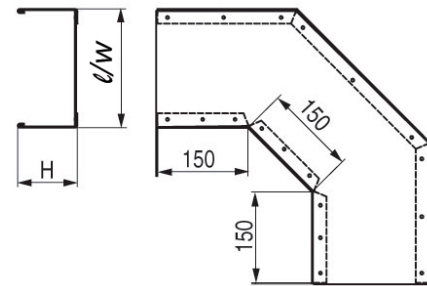
- GP trunking fixing with self tapping screws
- Floor bracket fixing with M8 or M10 hexagonal bolt



CONNECTING UNITS
GP 90° BEND - V90

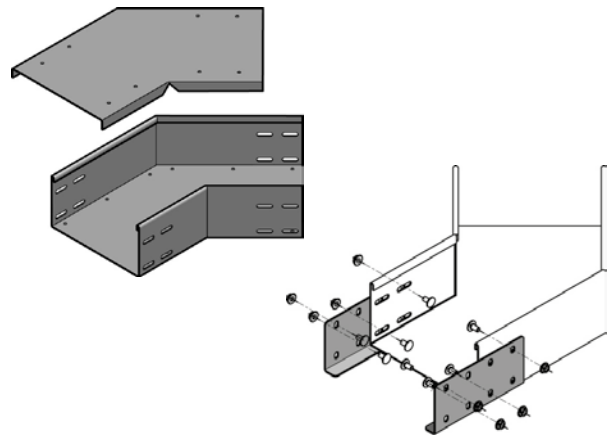
		Description	Code	Weight	Th. mm
	1	V90 GP 96x96 G	085941	2.908	2.00
	1	V90 GP 96x120 G	086947	3.225	2.00
	1	V90 GP 96x144 G	087683	3.558	2.00
	1	V90 GP 96x192 G	085704	4.267	2.00
	1	V90 GP 96x312 G	085933	6.304	2.00
	1	V90 GP 96x408 G	086051	8.204	2.00
	1	V90 GP 96x504 G	087958	9.044	2.00




GP 90° BEND COVER - CO V90

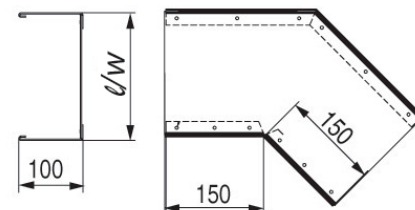
		Description	Code	Weight	Th. mm
	1	CO V90 GP 96x2.00 G	085940	1.223	2.00
	1	CO V90 GP 120x2.00 G	086948	1.473	2.00
	1	CO V90 GP 144x2.00 G	087366	1.738	2.00
	1	CO V90 GP 192x2.00 G	085705	2.313	2.00
	1	CO V90 GP 312x2.00 G	085934	4.016	2.00
	1	CO V90 GP 408x2.00 G	086052	5.693	2.00
	1	CO V90 GP 504x2.00 G	087170	7.499	2.00


GP 45° BEND - V135

		Description	Code	Weight kg/p	Th. mm
	1	V135 GP 96x96 G	086204	1.843	2.00
	1	V135 GP 96x120 G	087959	2.030	2.00
	1	V135 GP 96x144 G	087960	2.225	2.00
	1	V135 GP 96x192 G	086055	2.636	2.00
	1	V135 GP 96x312 G	085960	3.796	2.00
	1	V135 GP 96x408 G	086053	4.859	2.00
	1	V135 GP 96x504 G	088002	6.042	2.00

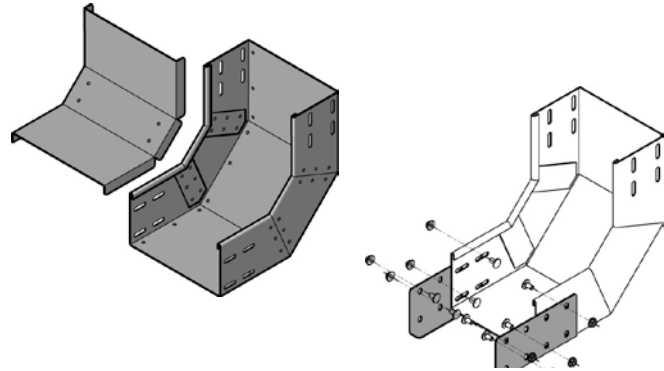

GP 45° BEND COVER - V135

		Description	Code	Weight kg/p	Th. mm
	1	CO V135 GP 96x2.00 G	086205	0.817	2.00
	1	CO V135 GP 120x2.00 G	087962	0.970	2.00
	1	CO V135 GP 144x2.00 G	087963	1.310	2.00
	1	CO V135 GP 192x2.00 G	086056	1.475	2.00
	1	CO V135 GP 312x2.00 G	085961	2.466	2.00
	1	CO V135 GP 408x2.00 G	086054	3.307	2.00
	1	CO V135 GP 504x2.00 G	088003	4.400	2.00

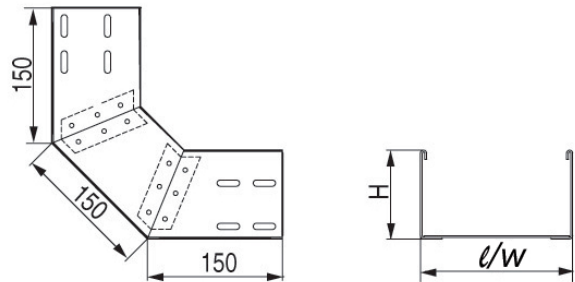


CONNECTING UNITS
GP INSIDE BEND - CC

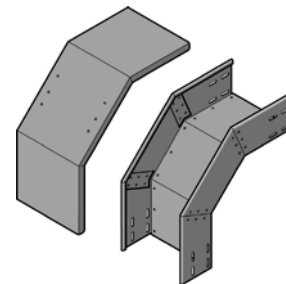
p	Description	Code	Weight kg/p	Th. mm
1	CC GP 96x96 G	086208	2.312	2.00
1	CC GP 96x120 G	087989	2.482	2.00
1	CC GP 96x144 G	087990	2.653	2.00
1	CC GP 96x192 G	085700	2.993	2.00
1	CC GP 96x312 G	085964	3.845	2.00
1	CC GP 96x408 G	086363	4.526	2.00
1	CC GP 96x504 G	087991	5.207	2.00


GP INSIDE BEND COVER - CO CC

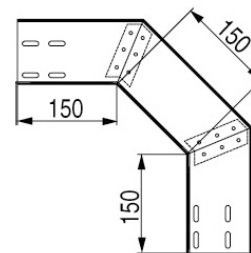
p	Description	Code	Weight kg/p	Th. mm
1	CO2 CC GP 96x96 G	086209	0.650	2.00
1	CO2 CC GP 96x120 G	087992	0.756	2.00
1	CO2 CC GP 96x144 G	087993	0.862	2.00
1	CO2 CC GP 96x192 G	085701	1.075	2.00
1	CO2 CC GP 96x312 G	085965	1.606	2.00
1	CO2 CC GP 96x408 G	086364	2.031	2.00
1	CO2 CC GP 96x504 G	087994	2.456	2.00


GP OUTSIDE BEND - CV

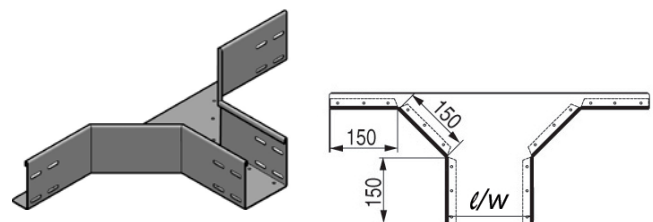
p	Description	Code	Weight kg/p	Th. mm
1	CV GP 96x96 G	086206	3.825	2.00
1	CV GP 96x120 G	087985	3.998	2.00
1	CV GP 96x144 G	087679	4.171	2.00
1	CV GP 96x192 G	085702	4.516	2.00
1	CV GP 96x312 G	086120	5.381	2.00
1	CV GP 96x408 G	086361	6.073	2.00
1	CV GP 96x504 G	087986	6.765	2.00


GP OUTSIDE BEND COVER - CO CV

p	Description	Code	Weight kg/p	Th. mm
1	CO CV GP 96x96 G	086207	1.411	2.00
1	CO CV GP 96x120 G	087987	1.643	2.00
1	CO CV GP 96x144 G	087680	1.876	2.00
1	CO CV GP 96x192 G	085703	2.340	2.00
1	CO CV GP 96x312 G	086121	3.500	2.00
1	CO CV GP 96x408 G	086362	4.429	2.00
1	CO CV GP 96x504 G	087988	5.357	2.00


GP TAKE OFF - SLT

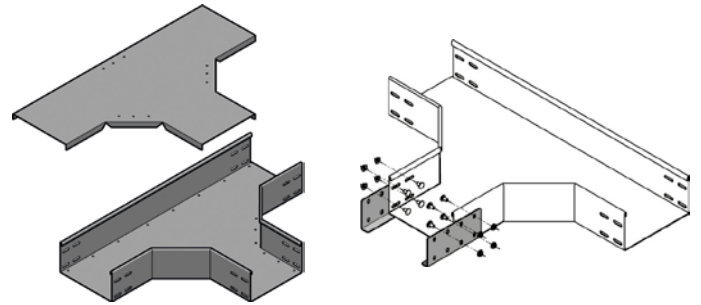
p	Description	Code	Weight	Th. mm
1	SLT GP 96x96 G	085938	2.701	2.00
1	SLT GP 96x120 G	086949	2.811	2.00
1	SLT GP 96x144 G	087681	2.921	2.00
1	SLT GP 96x192 G	085958	3.141	2.00
1	SLT GP 96x312 G	085966	3.692	2.00
1	SLT GP 96x408 G	086049	4.132	2.00
1	SLT GP 96x504 G	087966	4.572	2.00



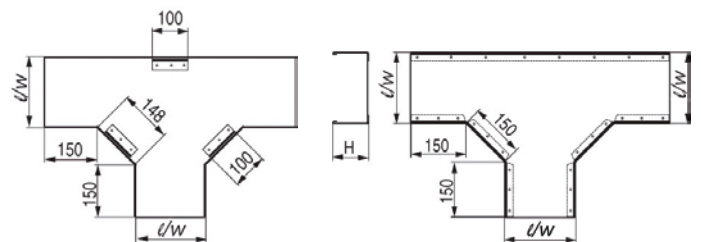
N.B.: If necessary, use the corresponding **TEE cover**

CONNECTING UNITS
GP TEE - TE

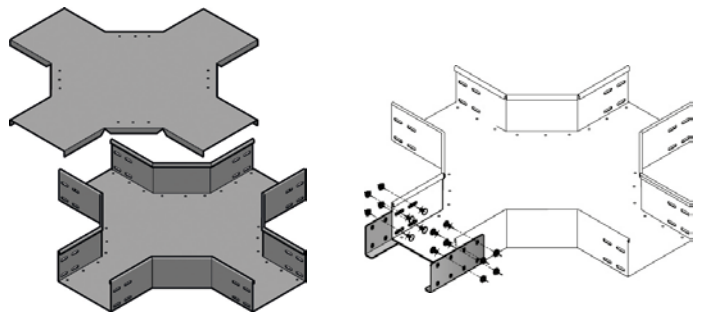
p	Description	Code	Weight kg/p	Th. mm
1	TE GP 96x96 G	086213	4.495	2.00
1	TE GP 96x120 G	087967	4.924	2.00
1	TE GP 96x144 G	087968	5.353	2.00
1	TE GP 96x192 G	085706	6.291	2.00
1	TE GP 96x312 G	085962	8.916	2.00
1	TE GP 96x408 G	086360	11.350	2.00
1	TE GP 96x504 G	087970	14.090	2.00


GP TEE COVER - CO TE

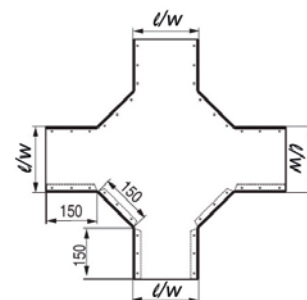
p	Description	Code	Weight kg/p	Th. mm
1	CO TE GP 96x2.00 G	086214	2.082	2.00
1	CO TE GP 120x2.00 G	086950	2.460	2.00
1	CO TE GP 144x2.00 G	087668	2.857	2.00
1	CO TE GP 192x2.00 G	085707	3.704	2.00
1	CO TE GP 312x2.00 G	085963	6.137	2.00
1	CO TE GP 408x2.00 G	086050	8.410	2.00
1	CO TE GP 504x2.00 G	087172	10.972	2.00


GP CROSS - CX

p	Description	Code	Weight kg/p	Th. mm
1	CX GP 96x96 G	087971	7.663	2.00
1	CX GP 96x120 G	087972	8.132	2.00
1	CX GP 96x144 G	087684	8.618	2.00
1	CX GP 96x192 G	087974	9.640	2.00
1	CX GP 96x312 G	086598	12.528	2.00
1	CX GP 96x408 G	087976	15.160	2.00
1	CX GP 96x504 G	087977	18.082	2.00


GP CROSS COVER - CO CX

p	Description	Code	Weight kg/p	Th. mm
1	CO CX GP 96x2.00 G	087978	2.762	2.00
1	CO CX GP 120x2.00 G	087979	3.228	2.00
1	CO CX GP 144x2.00 G	087669	3.713	2.00
1	CO CX GP 192x2.00 G	087981	4.752	2.00
1	CO CX GP 312x2.00 G	086599	7.612	2.00
1	CO CX GP 408x2.00 G	087983	10.238	2.00
1	CO CX GP 504x2.00 G	087984	13.185	2.00



GA TRUNKING AND COVERS

Recommended for food and pharmaceutical industries or fine chemistry

- Dustproof: closed and rigid system
- Clip-on covers delivered as standard
- In compliance with HACCP guidelines

Characteristics:

- Trunking system in Brushed Stainless Steel
- Length 2 metres
- Delivered with cover
- Clip-on end plates and cover junctions

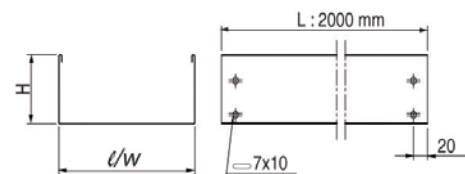
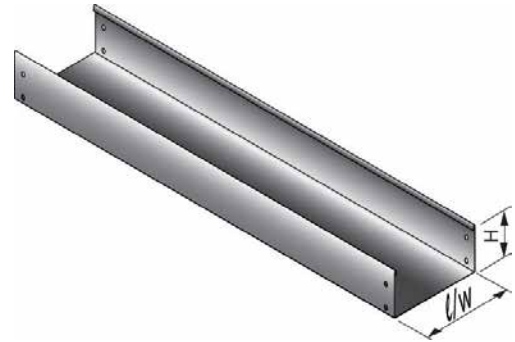
Upon request:

- Other dimensions
- In-house fastening of **LPSNP dividers**

GA TRUNKING

m	Description	Code	Weight	Th. mm	W. mm
2	GA 96x96x0.80 2M SS304L BF	347042	2.020	0.80	96
2	GA 96x144x0.80 2M SS304L BF	347044	2.326	0.80	144
2	GA 96x192x0.80 2M SS304L BF	347046	2.630	0.80	192
2	GA 96x312x0.80 2M SS304L BF	347049	3.390	0.80	312
2	GA 96x408x1.00 2M SS304L BF	347051	4.990	1.00	408

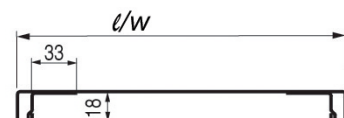
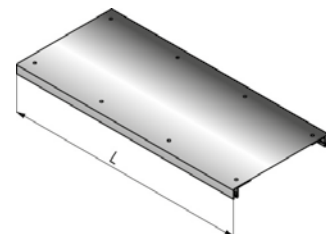
BF: brushed stainless steel + protection film



GA COVER

m	Description	Code	Weight	Th. mm
2	CO GA 96x0.80 2M SS304L B	347962	1.664	0.80
2	CO GA 144x0.80 2M SS304L B	347964	1.968	0.80
2	CO GA 192x0.80 2M SS304L B	347966	2.271	0.80
2	CO GA 312x0.80 2M SS304L B	347969	3.029	0.80
2	CO GA 408x1.00 2M SS304L B	347971	4.328	1.00

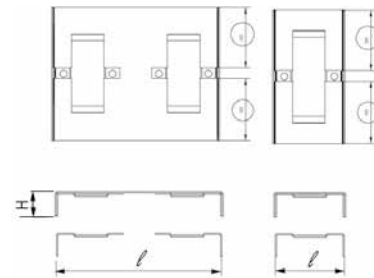
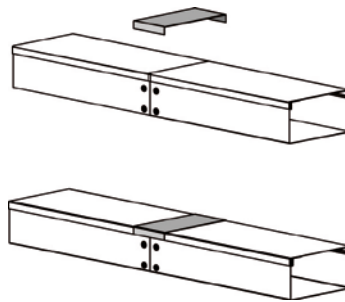
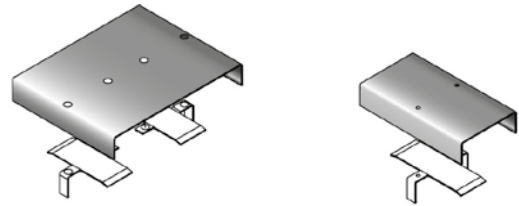
B: brushed stainless steel



GA COVER JUNCTION - END PLATE - COUPLER
GA COVER JUNCTION

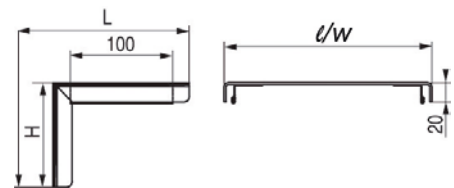
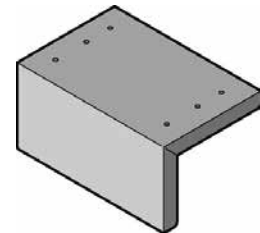
p	Description	Code	Weight kg/p	Th. mm
SS304L	1 JCO GA 96 SS304L B	347802	0.140	1.00
	1 JCO GA 144 SS304L B	347704	0.176	1.00
	1 JCO GA 192 SS304L B	347806	0.214	1.00
	1 JCO GA 312 SS304L B	347809	0.309	1.00
	1 JCO GA 408 SS304L B	347811	0.385	1.00

B: brushed stainless steel


FGA END PLATE

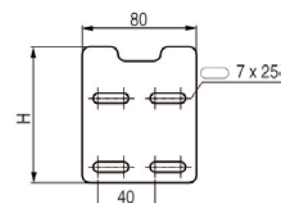
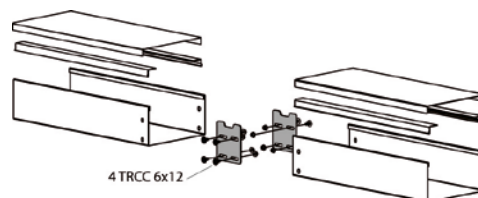
p	Description	Code	Weight kg/p	Th. mm	H. mm	W mm
SS304L	1 FGA 96x96 SS304L B	347982	0.269	1.00	101	100
	1 FGA 96x144 SS304L B	347764	0.345	1.00	101	148
	1 FGA 96x192 SS304L B	347986	0.420	1.00	101	196
	1 FGA 96x312 SS304L B	347989	0.610	1.00	101	316
	1 FGA 96x408 SS304L B	347990	0.762	1.00	101	412

B: brushed stainless steel


EGA COUPLER

p	Description	Code	Weight kg/p	Th. mm	H. mm	L. mm
SS304L	1 EGA 96x 80x1.50 SS304L B	347782	0.078	1.50	95	80

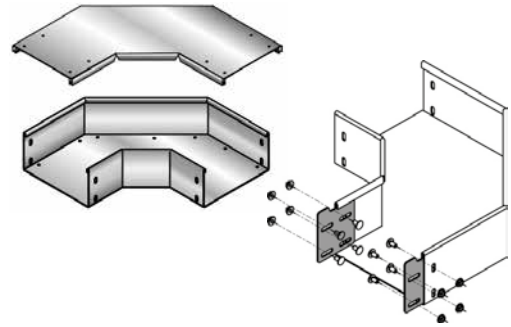
B: brushed stainless steel



CONNECTING UNITS
GA 90° BEND - V90

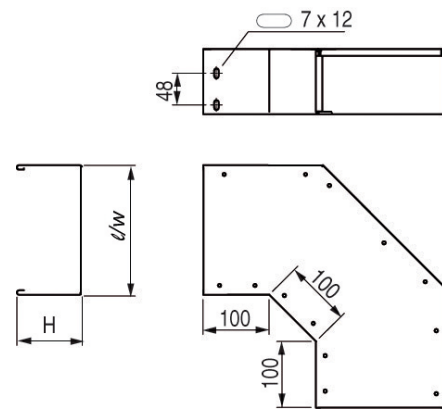
SS304L	p	Description	Code	Weight kg/p	Th. mm	H. mm	W mm
	1	V90 GA 96x96 SS304L B	347992	1.054	1.00	101	98
	1	V90 GA 96x144 SS304L B	347124	1.325	1.00	101	146
	1	V90 GA 96x192 SS304L B	347996	1.626	1.00	101	194
	1	V90 GA 96x312 SS304L B	347999	2.510	1.00	101	314
	1	V90 GA 96x408 SS304L B	347131	3.352	1.00	101	410

B: brushed stainless steel


GA 90° BEND COVER - CO V90

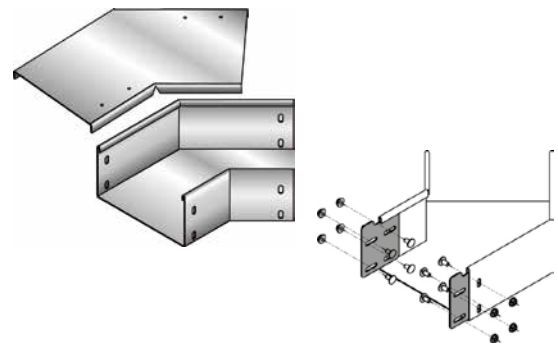
SS304L	p	Description	Code	Weight kg/p	Th. mm	W mm
	1	CO V90 GA 96 SS304L B	347842	0.510	1.00	100
	1	CO V90 GA 144 SS304L B	347144	0.568	1.00	148
	1	CO V90 GA 192 SS304L B	347846	0.940	1.00	196
	1	CO V90 GA 312 SS304L B	347849	1.640	1.00	316
	1	CO V90 GA 408 SS304L B	347151	2.330	1.00	412

B: brushed stainless steel


GA 45° BEND - V135

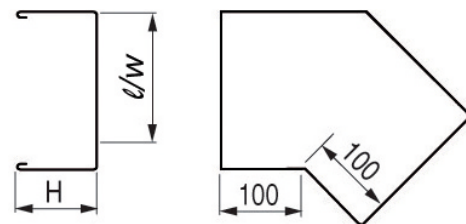
SS304L	p	Description	Code	Weight kg/p	Th. mm	H. mm	W mm
	1	V135 GA 96x96 SS304L B	347201	0.669	1.00	101	96
	1	V135 GA 96x144 SS304L B	347204	0.823	1.00	101	144
	1	V135 GA 96x192 SS304L B	347206	0.993	1.00	101	192
	1	V135 GA 96x312 SS304L B	347209	1.484	1.00	101	312
	1	V135 GA 96x408 SS304L B	347211	1.940	1.00	101	408

B: brushed stainless steel


GA 45° BEND COVER - CO V135

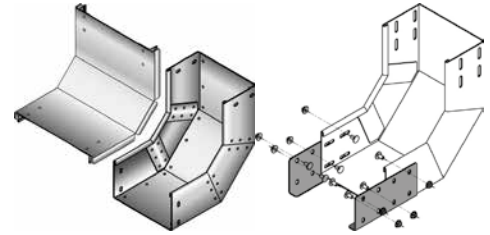
SS304L	p	Description	Code	Weight kg/p	Th. mm	W mm
	1	CO V135 GA 96 SS304L B	347221	0.371	1.00	100
	1	CO V135 GA 144 SS304L B	347224	0.489	1.00	148
	1	CO V135 GA 192 SS304L B	347226	0.621	1.00	196
	1	CO V135 GA 312 SS304L B	347229	1.019	1.00	316
	1	CO V135 GA 408 SS304L B	347231	1.405	1.00	412

B: brushed stainless steel

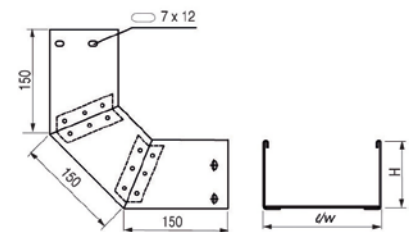


CONNECTING UNITS
GA INSIDE BEND - CC

	p	Description	Code	Weight kg/p	Th. mm	H. mm	W mm
SS304L	1	CC GA 96x96 SS304L B	347882	1.263	1.00	101	98
	1	CC GA 96x144 SS304L B	347284	1.435	1.00	101	146
	1	CC GA 96x192 SS304L B	347286	1.607	1.00	101	194
	1	CC GA 96x312 SS304L B	347289	2.036	1.00	101	314
	1	CC GA 96x408 SS304L B	347891	2.380	1.00	101	410


GA INSIDE BEND COVER - CO CC

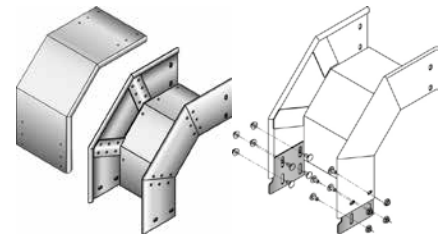
	p	Description	Code	Weight kg/p	Th. mm	W mm
SS304L	1	CO CC GA 96x96 SS304L B	347862	0.416	1.00	100
	1	CO CC GA 96x144 SS304L B	347344	0.387	1.00	148
	1	CO CC GA 96x192 SS304L B	347346	0.629	1.00	196
	1	CO CC GA 96x312 SS304L B	347349	0.895	1.00	316
	1	CO CC GA 96x408 SS304L B	347871	1.108	1.00	412



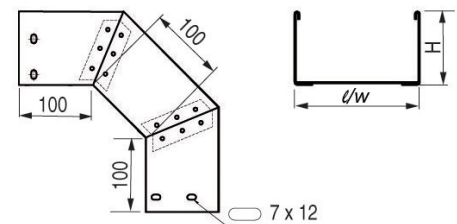
B: brushed stainless steel

GA OUTSIDE BEND - CV

	p	Description	Code	Weight kg/p	Th. mm	H. mm	W mm
SS304L	1	CV GA 96x96 SS304L B	347872	1.167	1.00	101	98
	1	CV GA 96x144 SS304L B	347404	1.283	1.00	101	146
	1	CV GA 96x192 SS304L B	347406	1.399	1.00	101	192
	1	CV GA 96x312 SS304L B	347409	1.500	1.00	101	314
	1	CV GA 96x408 SS304L B	347411	1.921	1.00	101	410


GA OUTSIDE BEND COVER - CO CV

	p	Description	Code	Weight kg/p	Th. mm	W mm
SS304L	1	CO CV GA 96x96 SS304L B	347852	0.603	1.00	100
	1	CO CV GA 96x144 SS304L B	347464	0.781	1.00	148
	1	CO CV GA 96x192 SS304L B	347466	0.959	1.00	196
	1	CO CV GA 96x312 SS304L B	347469	1.403	1.00	316
	1	CO CV GA 96x408 SS304L B	347471	1.759	1.00	412



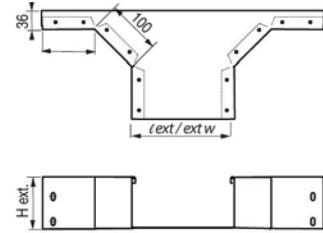
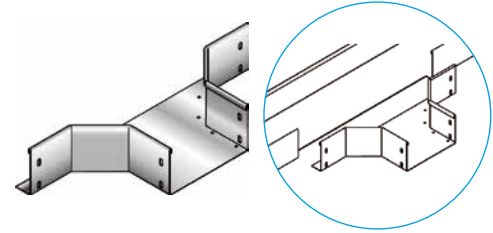
B: brushed stainless steel

CONNECTING UNITS
GA TAKE OFF - SLT

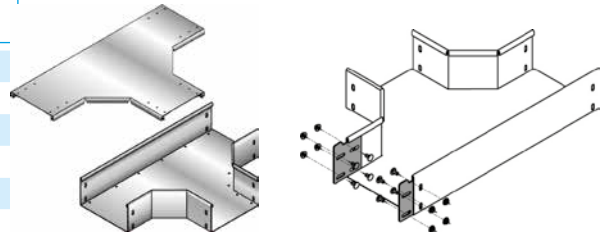
p	Description	Code	Weight kg/p	Th. mm	H. mm	W mm
SS304L	1 SLT GA 96x96 SS304L B	347822	0.902	1.00	101	98
	1 SLT GA 96x144 SS304L B	347684	0.981	1.00	101	148
	1 SLT GA 96x192 SS304L B	347686	1.059	1.00	101	196
	1 SLT GA 96x312 SS304L B	347689	1.254	1.00	101	314
	1 SLT GA 96x408 SS304L B	347691	1.410	1.00	101	410

If cover needed, use GA Tee cover

B: brushed stainless steel

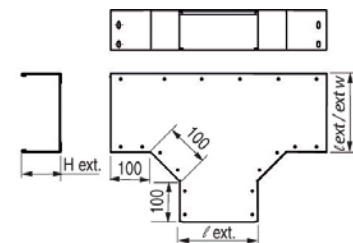

GA TEE - TE

p	Description	Code	Weight kg/p	Th. mm	H. mm	W mm
SS304L	1 TE GA 96x96 SS304L B	347602	1.557	1.00	101	98
	1 TE GA 96x144 SS304L B	347604	1.891	1.00	101	146
	1 TE GA 96x192 SS304L B	347606	2.264	1.00	101	194
	1 TE GA 96x312 SS304L B	347609	3.350	1.00	101	314
	1 TE GA 96x408 SS304L B	347611	4.377	1.00	101	410

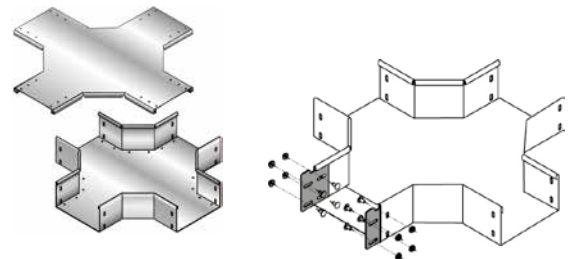

GA TEE COVER - CO TE

p	Description	Code	Weight kg/p	Th. mm	W mm
SS304L	1 CO TE GA 96 SS304L B	347622	0.813	1.00	100
	1 CO TE GA 144 SS304L B	347624	1.101	1.00	148
	1 CO TE GA 192 SS304L B	347626	1.426	1.00	196
	1 CO TE GA 312 SS304L B	347629	2.397	1.00	316
	1 CO TE GA 408 SS304L B	347631	3.337	1.00	412

B: brushed stainless steel

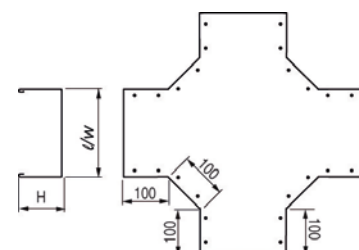

GA CROSS - CX

p	Description	Code	Weight kg/p	Th. mm	H. mm	W mm
SS304L	1 CX GA 96x96 SS304L B	347522	1.888	1.00	101	98
	1 CX GA 96x144 SS304L B	347524	2.237	1.00	101	146
	1 CX GA 96x192 SS304L B	347526	2.622	1.00	101	194
	1 CX GA 96x312 SS304L B	347529	2.515	1.00	101	314
	1 CX GA 96x408 SS304L B	347531	4.806	1.00	101	410


GA CROSS COVER - CO CX

p	Description	Code	Weight kg/p	Th. mm	W mm
SS304L	1 CO CX GA 96 SS304L B	347542	1.059	1.00	100
	1 CO CX GA 144 SS304L B	347544	1.406	1.00	148
	1 CO CX GA 192 SS304L B	347546	1.789	1.00	196
	1 CO CX GA 312 SS304L B	347549	2.905	1.00	316
	1 CO CX GA 408 SS304L B	347551	3.962	1.00	412

B: brushed stainless steel



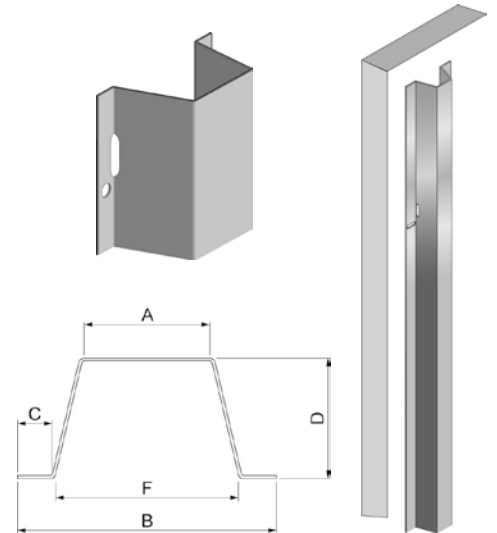
PRC CABLE PROTECTION

Wall trunking for cable protection

PRC TRUNKING PROTECTION

	m	Description	Code	Weight kg/ml	Th. mm	A mm	B mm	C mm
G	3	PRC 30 G	545001	1.410	1.25	44.0	89.0	12
	3	PRC 60 G	545002	2.120	1.25	50.0	112.0	12
	3	PRC 90 G	545003	3.060	1.25	78.0	158.0	12
	m	Description	Code	Weight kg/ml	Th. mm	A mm	B mm	C mm
AL	3	PRC 30 AL	546001	0.460	1.20	44.0	89.0	12
	3	PRC 60 AL	546002	0.860	1.50	50.0	112.0	12
	3	PRC 90 AL	546003	1.240	1.50	78.0	158.0	12
	m	Description	Code	Weight kg/ml	Th. mm	A mm	B mm	C mm
SS304L	3	PRC 30 SS304 L	319410	1.130	1.00	44.0	89.0	12
	3	PRC 60 SS304 L	319411	1.710	1.00	50.0	112.0	12
	3	PRC 90 SS304 L	319412	2.470	1.00	78.0	158.0	12

N.B.: IK10 degree of protection against shocks, according to the NF/EN 50102 standard


FF2 ALUMINIUM TRUNKING

- Inviolable
- Contains 2 separated circuits thanks to an integrated central divider
- Delivered with clip-on cover

FF2

	m	Description	Code	Weight kg/ml	Th. mm	H. mm	W mm
AL	3	FF2 20x 50 AGST5 +CO	020001	0.750	1.50	20	50

The FF2 cable trunking base is fitted with guiding grooves for drilling purposes
 The FF2 cable trunking may also be fixed to a smooth and rigid wall with double sided adhesive tape (or any other suitable method)

